

Jeep Gladiator Rubicon

1/10 Hard Body Kit

Official Licensed Product

NO.48765

killerbody

1/10 RC PLANNING INSTRUCTION SHEET

Scale Hard Body (Long wheelbase: 313mm Width: 193mm)

Fit for 1/10 Scale Crawler & Truck Simulated Chassis:

Killerbody Mercury High-simulated chassis /Axial SCX10_II & SCX10_III Chassis /Traxxas TRX-4 chassis RC4WD TF2 LWB Chassis and so on

Before beginning assembly, please read these instructions thoroughly!

● Symbols used throughout the instruction manual, comprise:



Smooth rough edge.



Remove.



Pay close attention here!



Must be purchased separately.



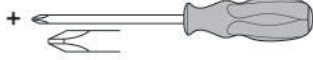
Assemble left and right sides the same way.

The picture on cover was taken in kind.



TOOLS RECOMMENDED (NOT INCLUDED)

Screwdriver (large)



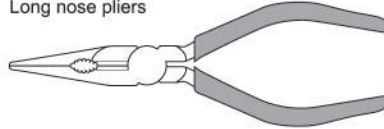
Screwdriver (small)



Tweezers



Long nose pliers



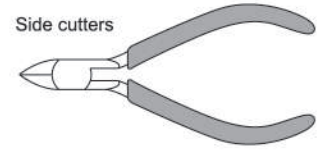
Modeling knife



Drill 2.0mm



Side cutters

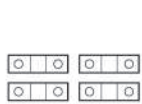


Plastic cement

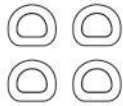
PARTS

PA parts ----- X2	Screws 2X8mm ----- X6	Tapping screws 1.5X8mm ----- X16
ABS parts ----- X11	Flat tail tapping screws 2X6mm -- X35	Screws 1.2X9mm ----- X8
PC parts ----- X2	Silver mirror decal ----- X1	Iron bars Φ 1X9mm ----- X4
Chromed parts ----- X1	Screws 1.2X3mm ----- X8	springs Φ 3X9mm ----- X2
PP parts ----- X1	Screws 2X5mm ----- X2	Flange screws 2X5X5mm ----- X19
Plastic glass ----- X1	Screws 2X7mm ----- X4	Tapping screws 1.4X5mm ----- X12
	Flange screws 1.4X4X4mm ----- X10	

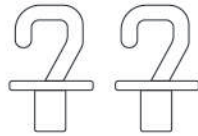
U 48765-U



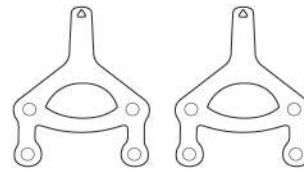
U01



U02

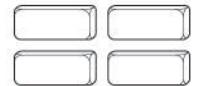


U03

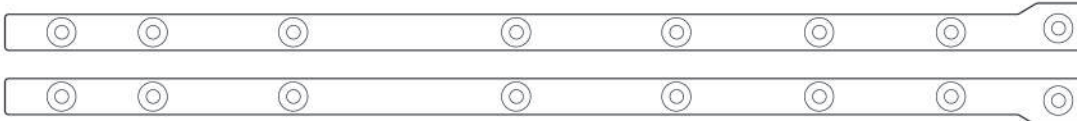


U04

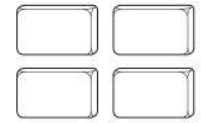
magnet



U06



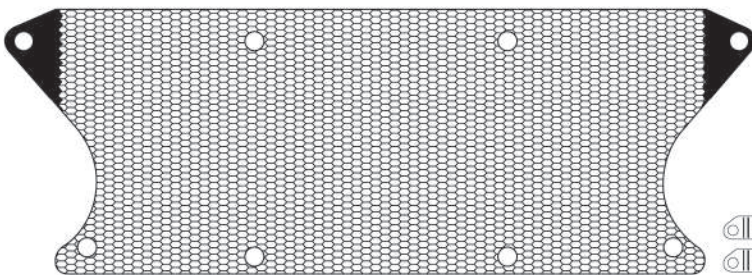
U05



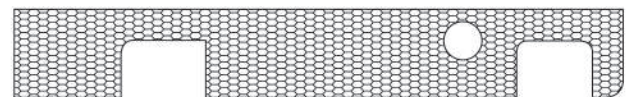
U07

alloyed parts ----- X14

V 48765-V



V01



V02



V04



V03

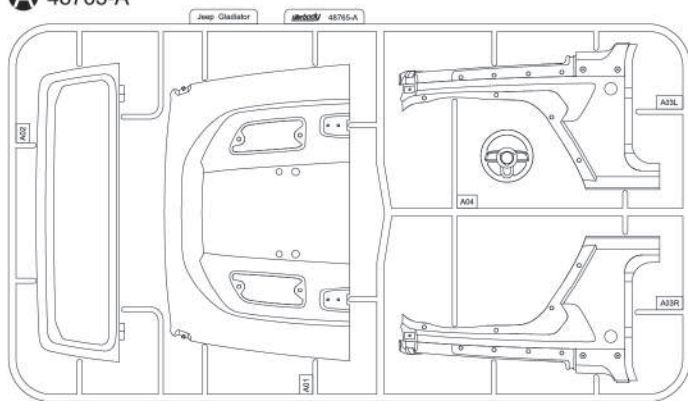
Stainless steel air mtake mcsh ----- X6



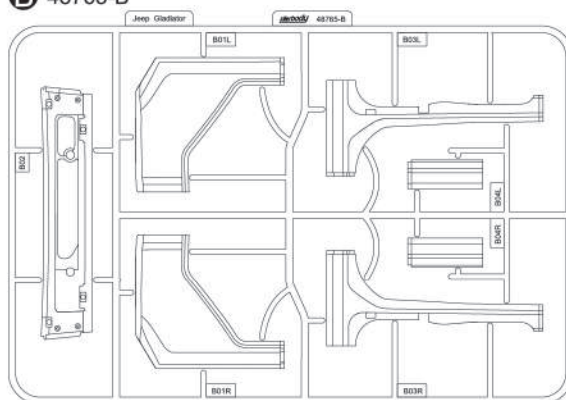
150X30mm

Double-sided tape for dashboard ----- X1

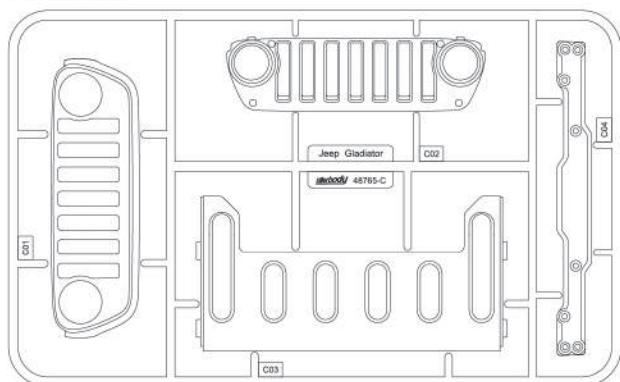
A 48765-A



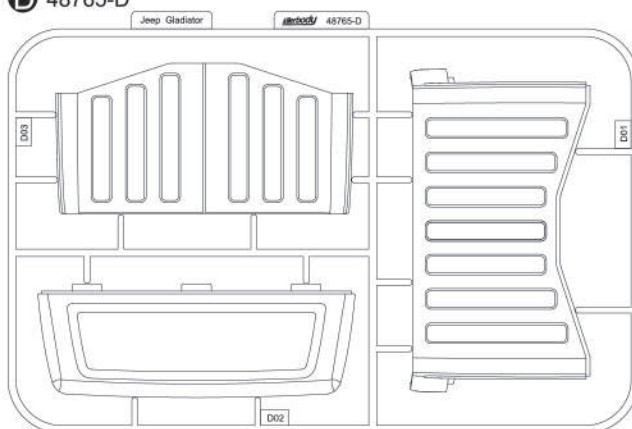
B 48765-B



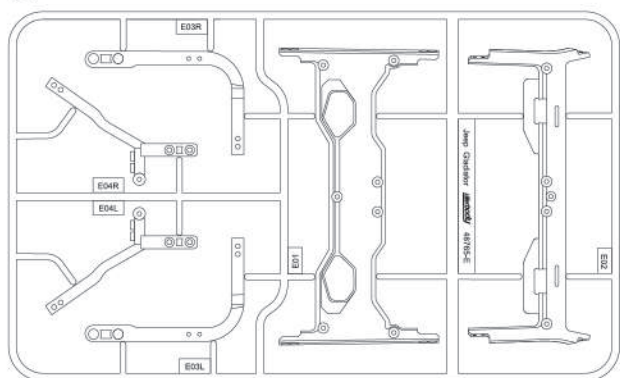
C 48765-C



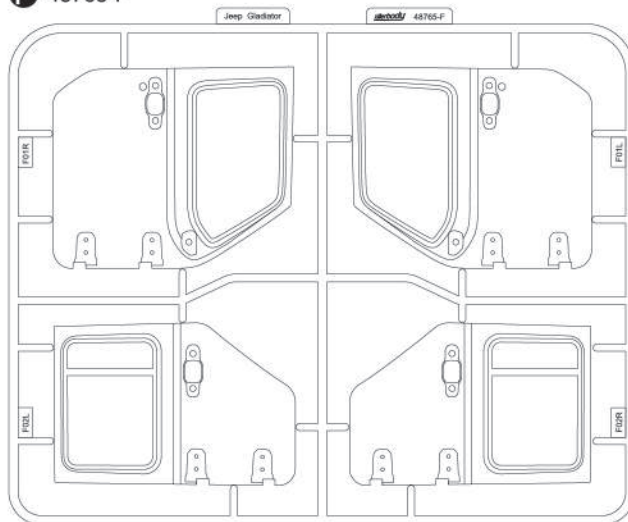
D 48765-D



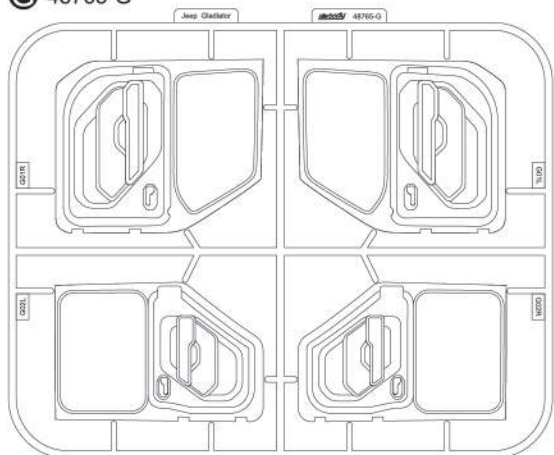
E 48765-E



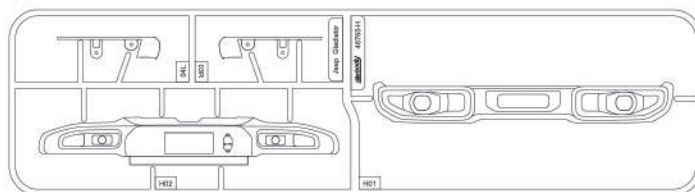
F 48765-F



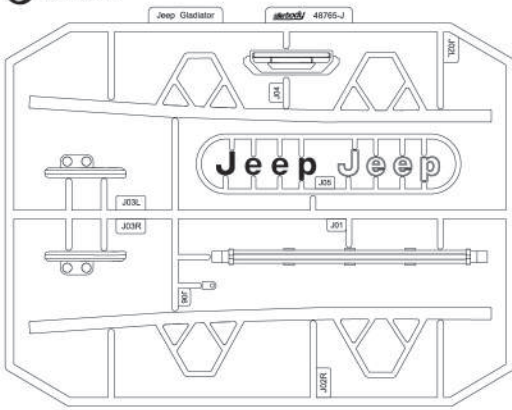
G 48765-G



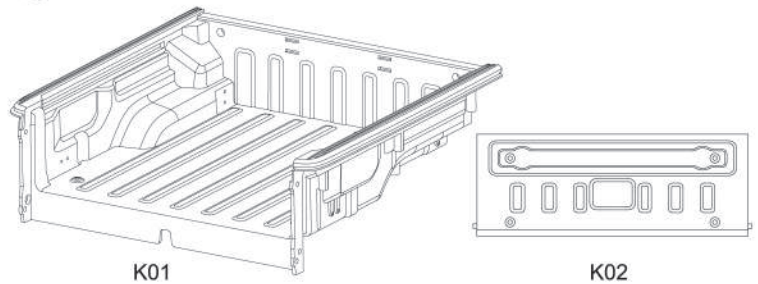
H 48765-H



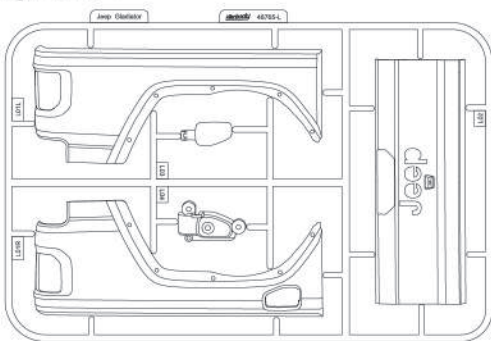
J 48765-J



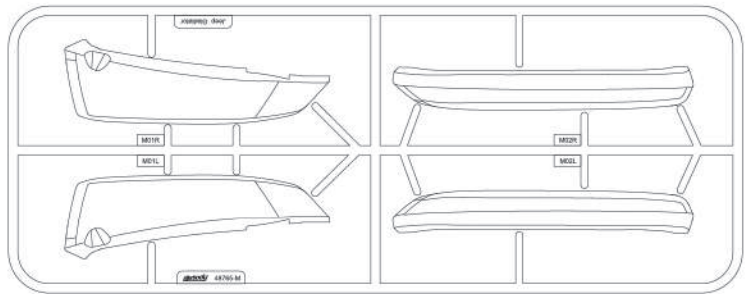
K 48765-K



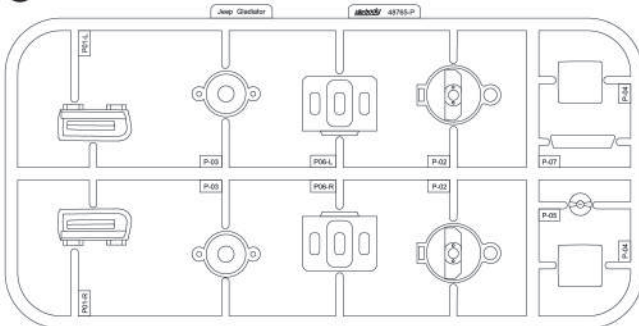
L 48765-L



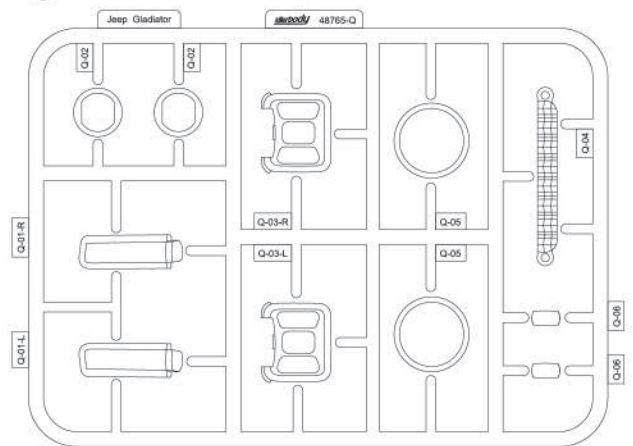
M 48765-M



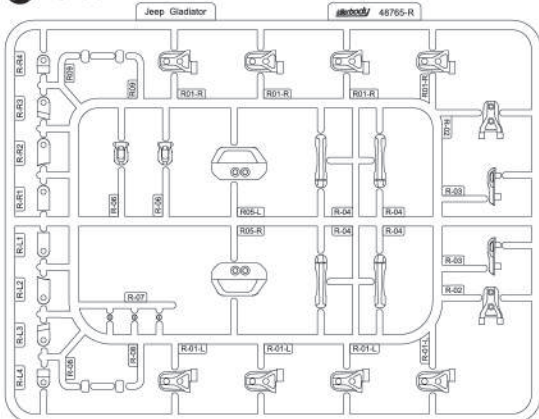
P 48765-P



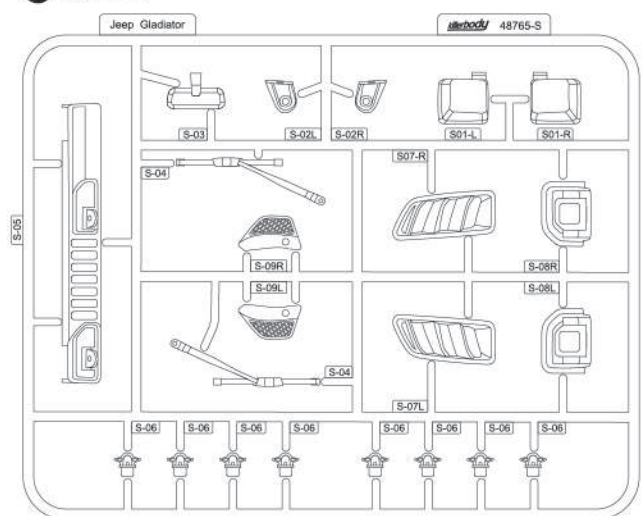
Q 48765-Q



R 48765-R



S 48765-S

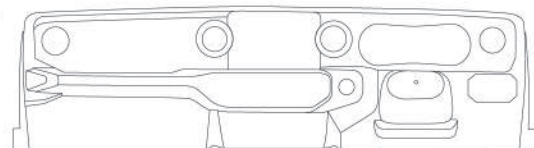


T PC dashboard

<Left>

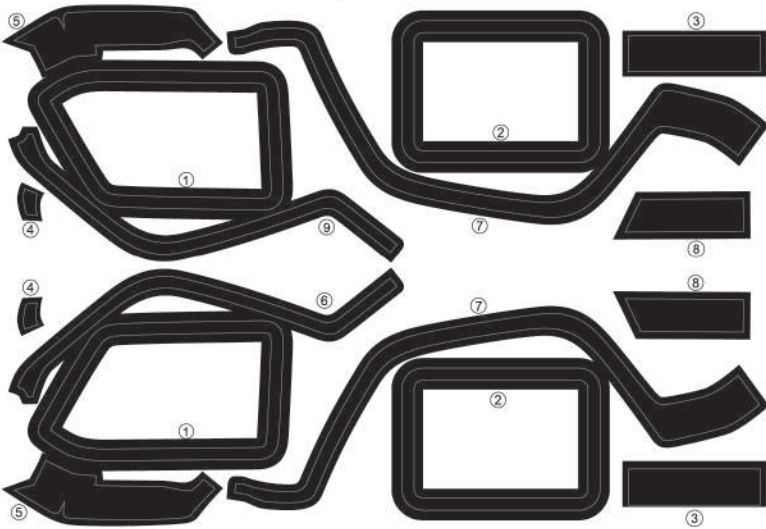


<Right>

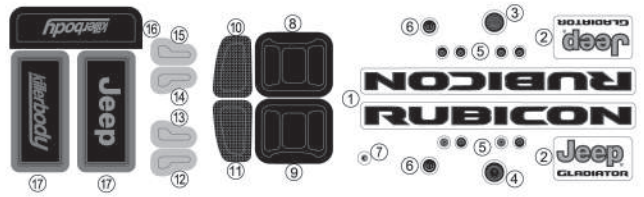


X 48765-X

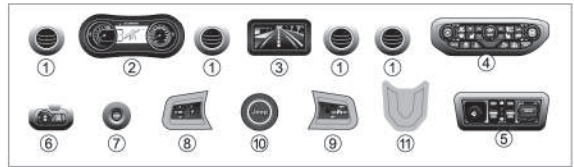
Body decal sheet - 1



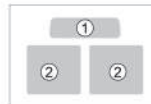
Gilt decorative decal - 2



Dashboard decal sheet - 3

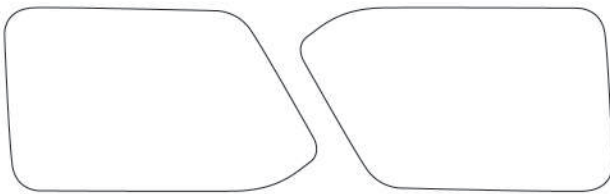


Silver mirror decal - 4

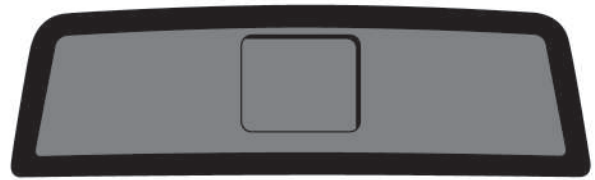


PC TRANSPARENT WINDOW GLASS (PRINTED)

Y 48765-Y



Front window glass - 1



Rear window glass - 2



Rear window glass - 3

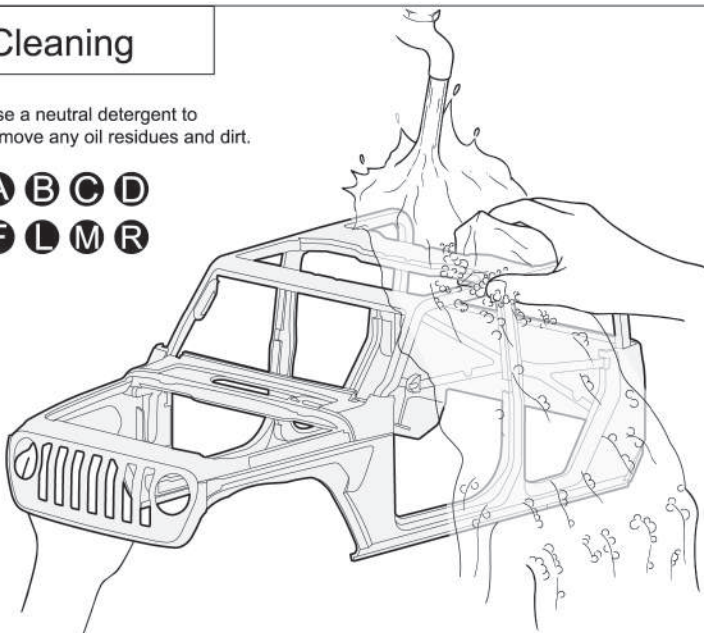


Windshield - 4

1 Cleaning

Use a neutral detergent to remove any oil residues and dirt.

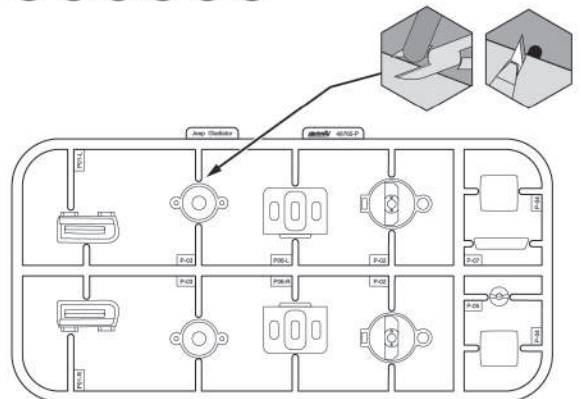
A B C D
F L M R



2 Cutting

Remove.

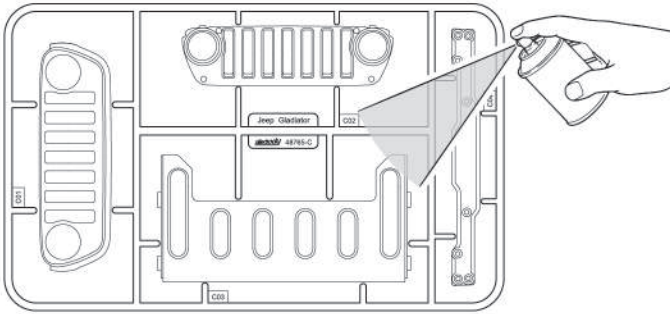
A B C D E F G H J K
L M P Q R S



3 Painting

Spraying paint your favorite color with hard varnish.

A B C D F L M R

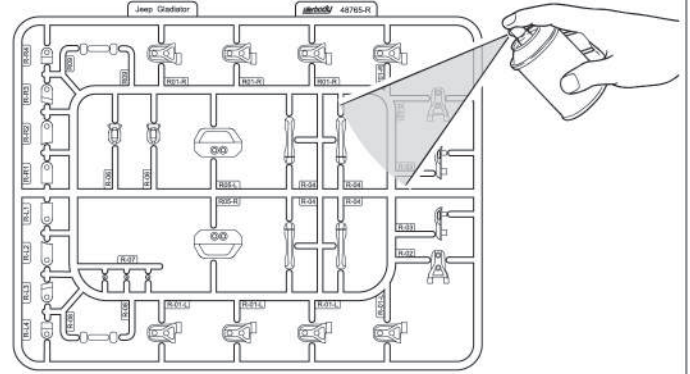


⚠ Warm prompt: **D M** also can spray it in black.

4 Painting


Spraying paint your favorite color with soft varnish, recommending to use the same color as the body.

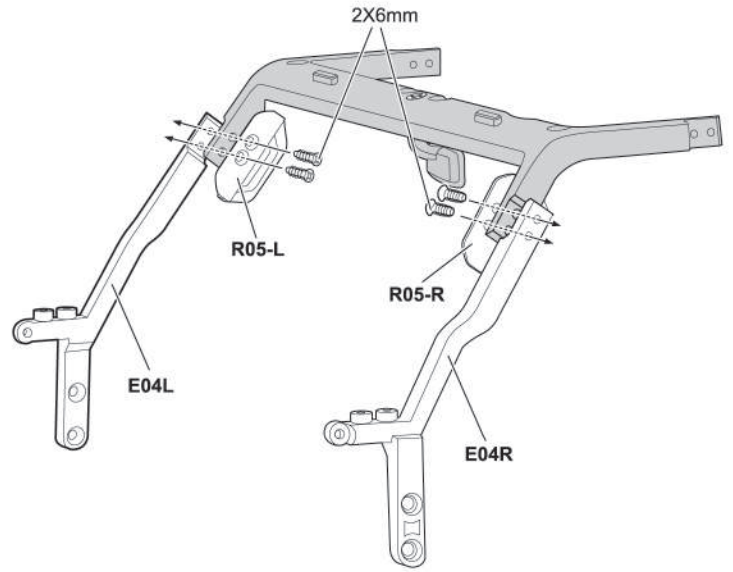
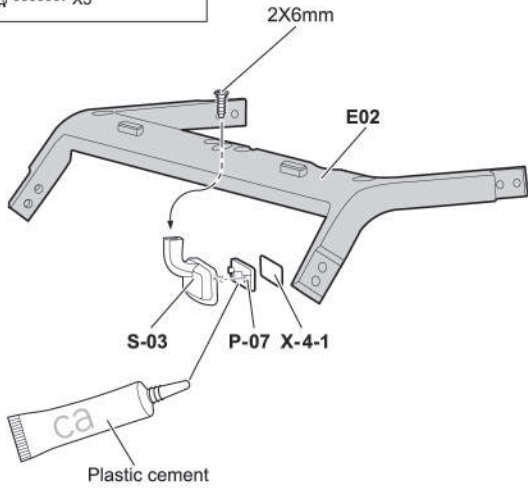
R



5 Assembling

Flat tail tapping screws 2X6mm

 X5




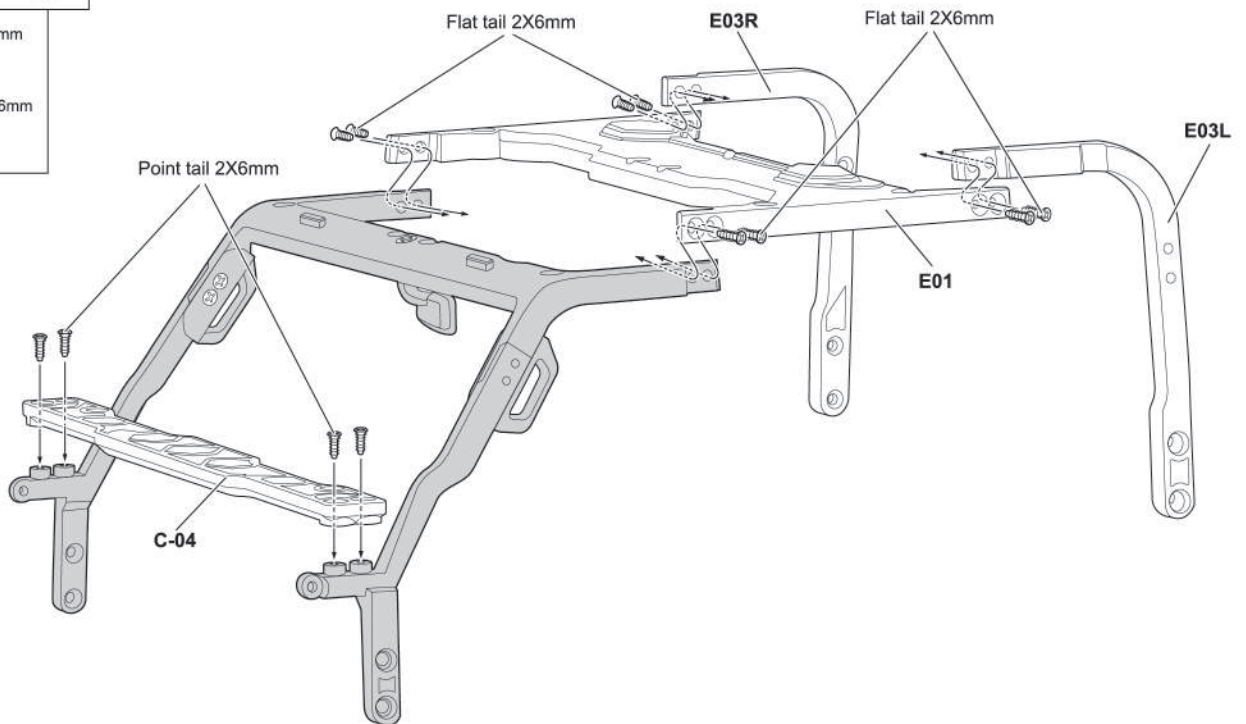
6 Assembling

Flat tail tapping screws 2X6mm

 X8

Point tail tapping screws 2X6mm

 X4



7 Assembling

Point tail tapping screws 2X6mm

----- X4

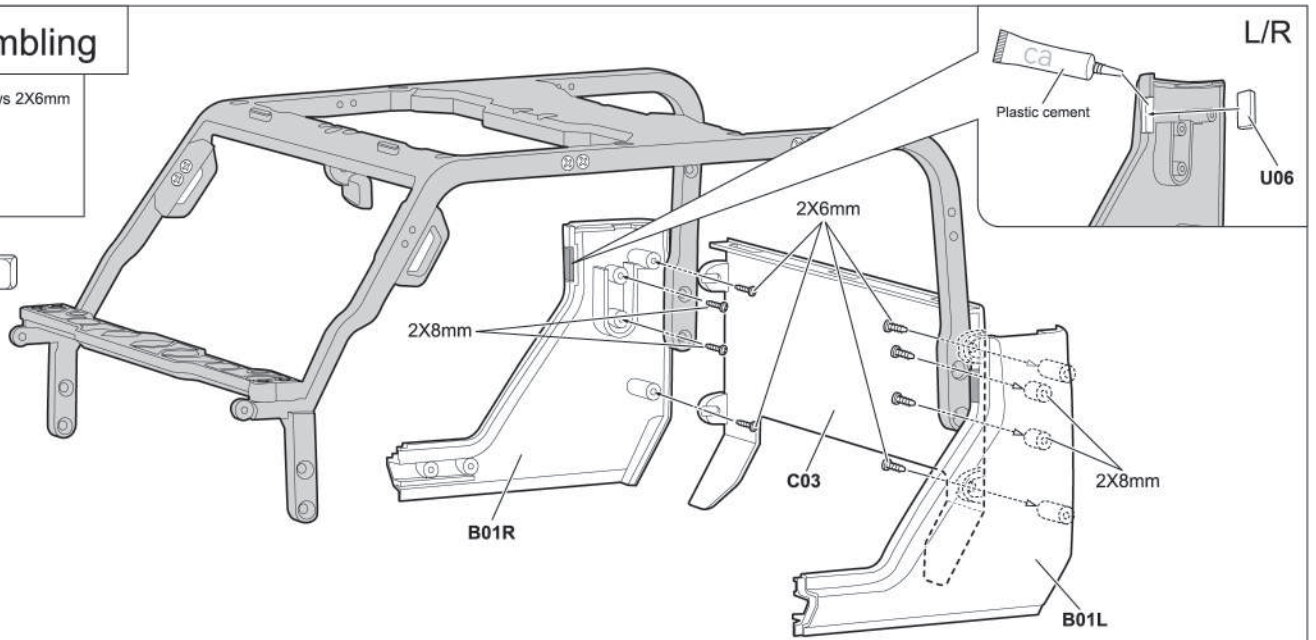
Screws 2X8mm

----- X4

U06



Size:10x4x2mm



8 Assembling

Point tail tapping screws 2X6mm

----- X8

Flange screw 2X5X5mm

----- X4

Flange screws 1.4X4X4mm

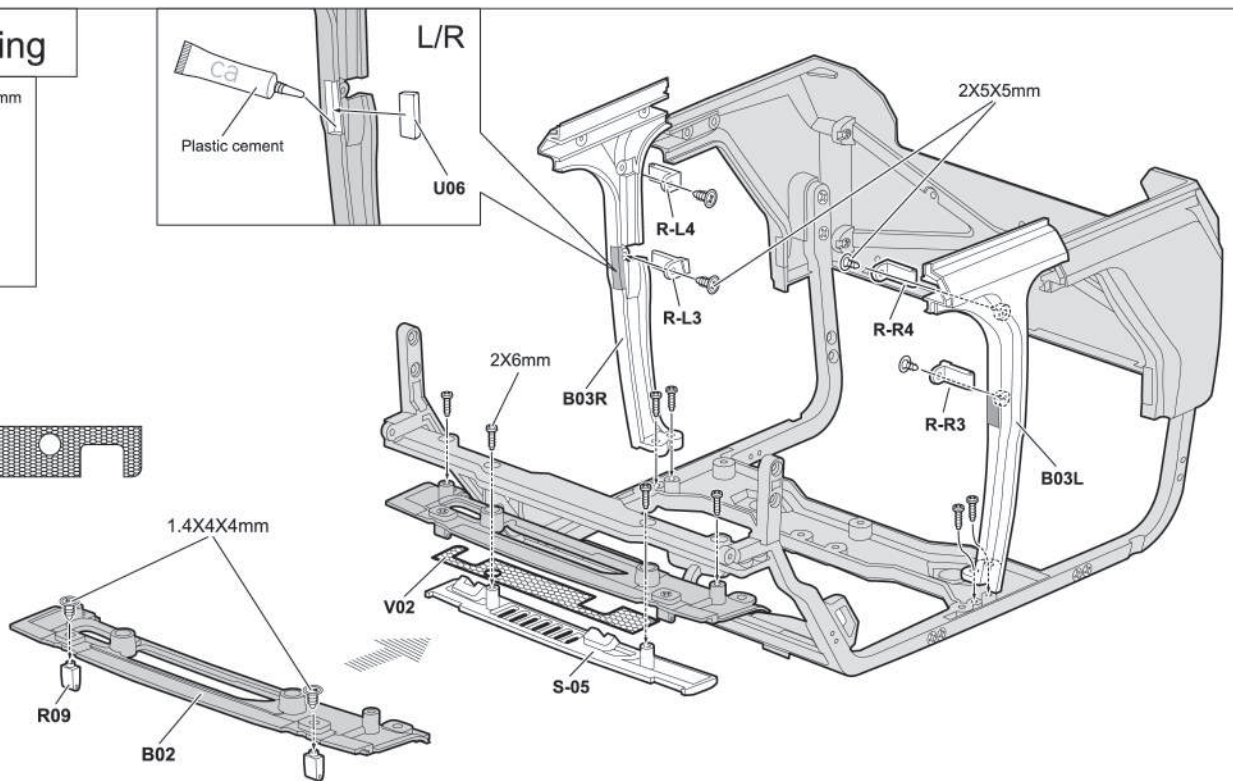
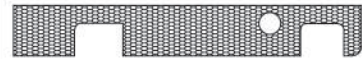
----- X2

U06



Size:10x4x2mm

V02



9 Assembling

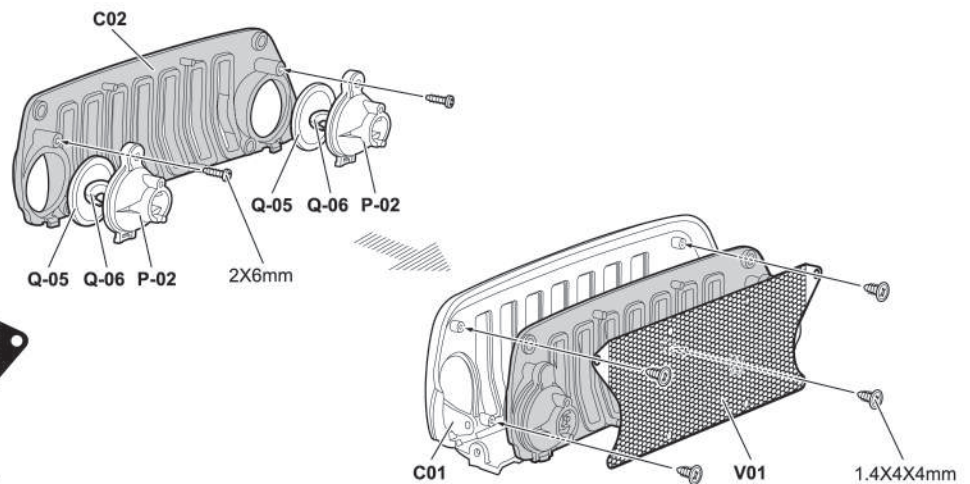
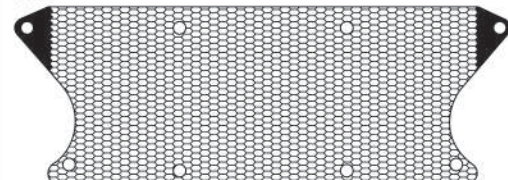
Point tail tapping screws 2X6mm

----- X2

Flange screws 1.4X4X4mm


----- X4

V01

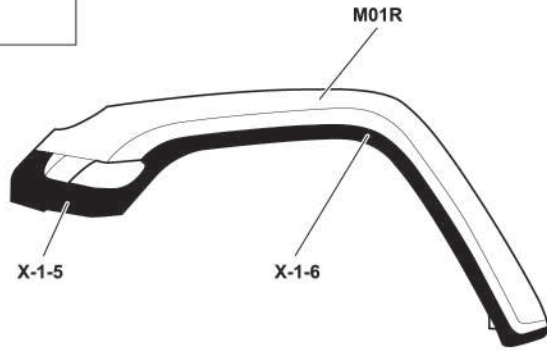


10 Assembling

Flange screws 2X5X5mm

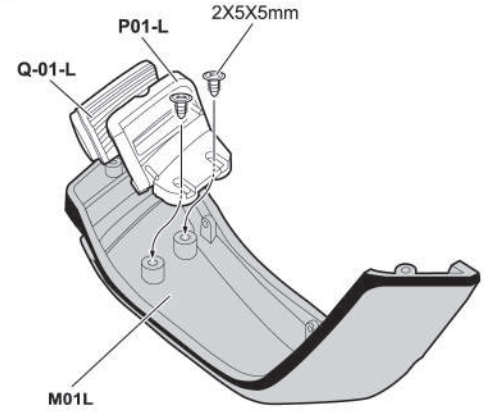
 ----- X4

L/R



⚠ If **M** is sprayed in black, the decals don't need to stick.

L/R



11 Assembling

Point tail tapping screws 2X6mm

 ----- X10

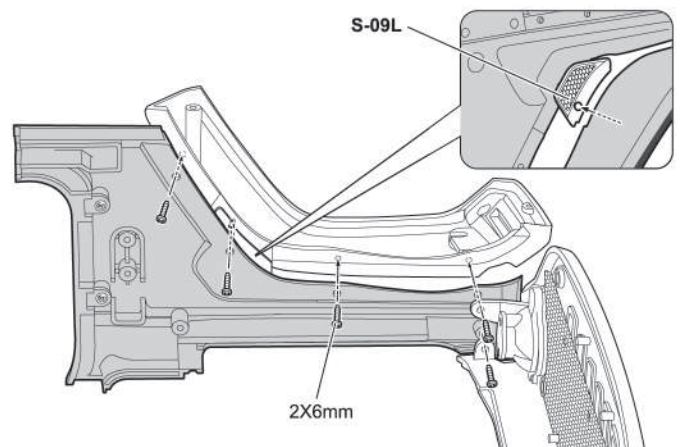
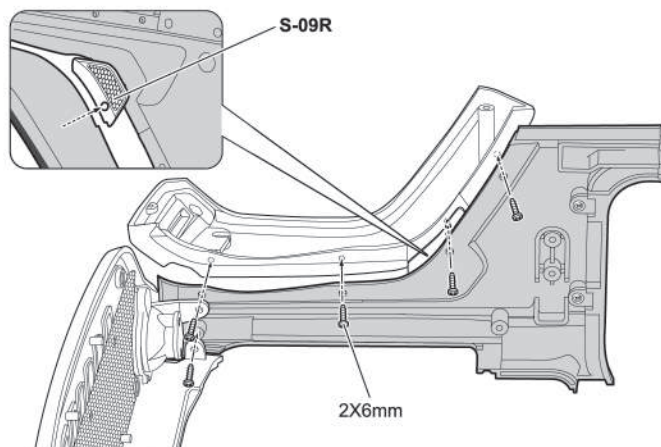
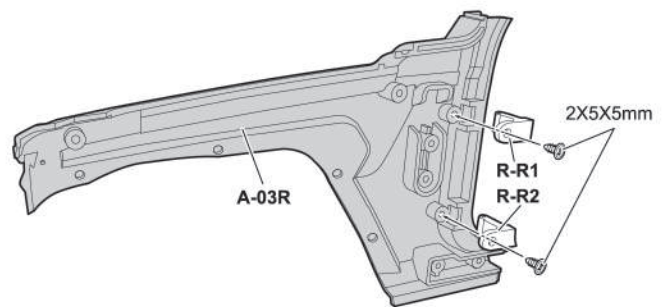
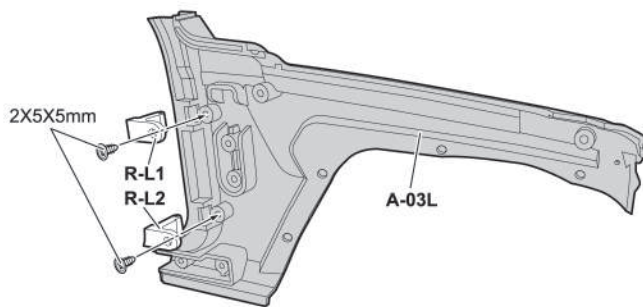
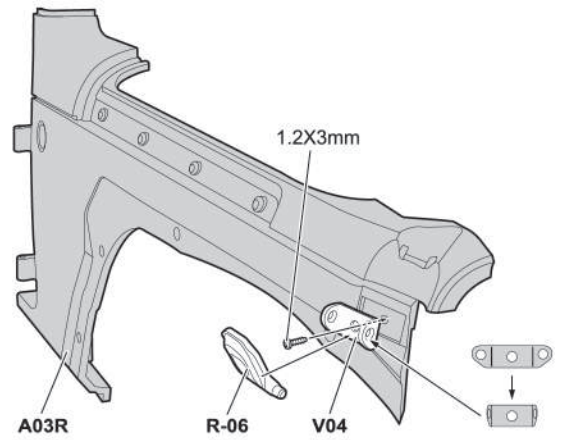
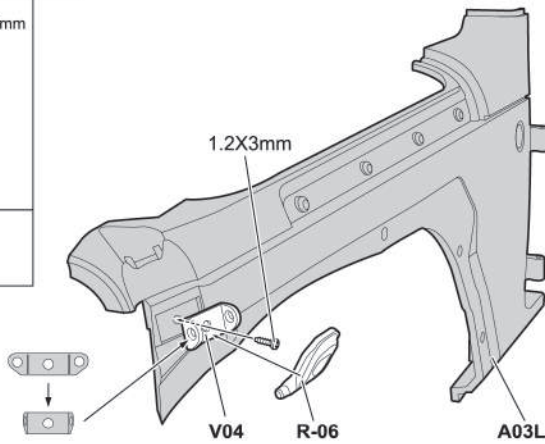
Flange screws 2X5X5mm

 ----- X4

Screws 1.2X3mm

 ----- X2

V04



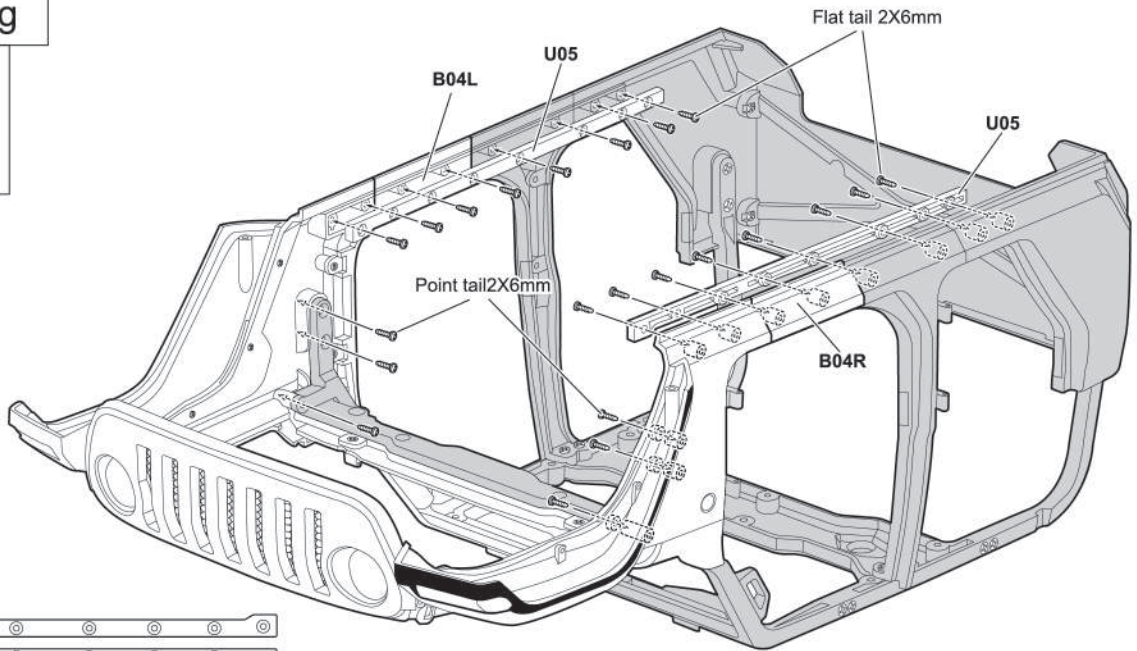
12 Assembling

Flat tail tapping screws 2X6mm

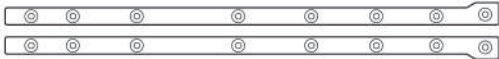
-----X16

Point tail tapping screws 2X6mm

-----X6



U05



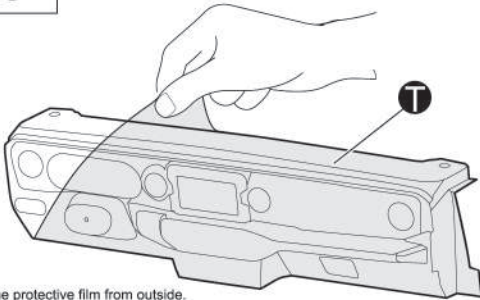
13 Assembling

Flange screws 2X5X5mm

-----X1

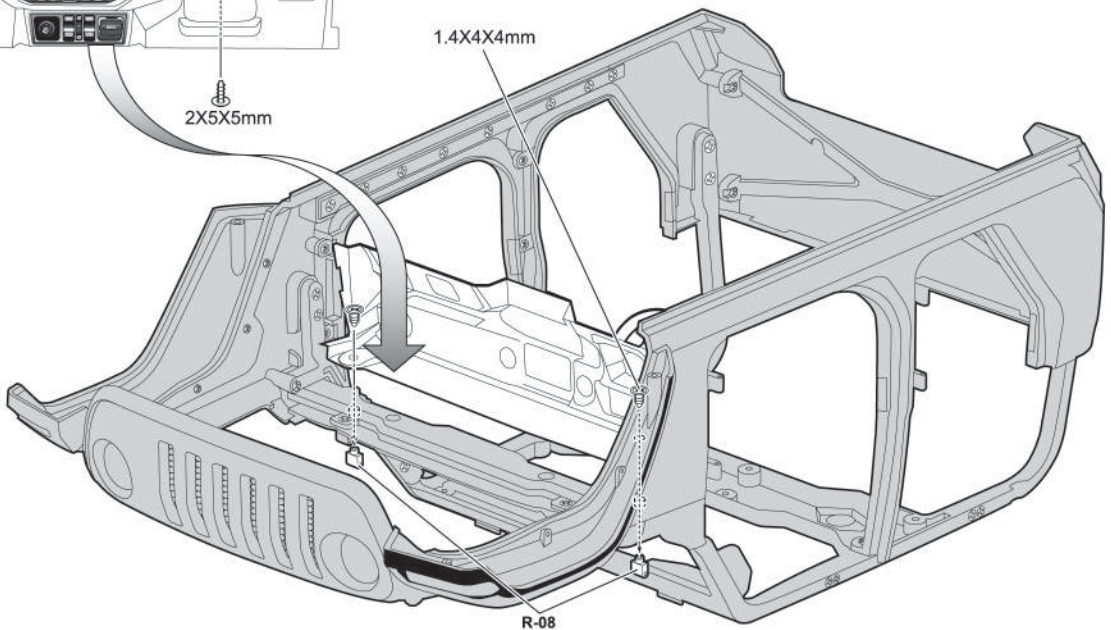
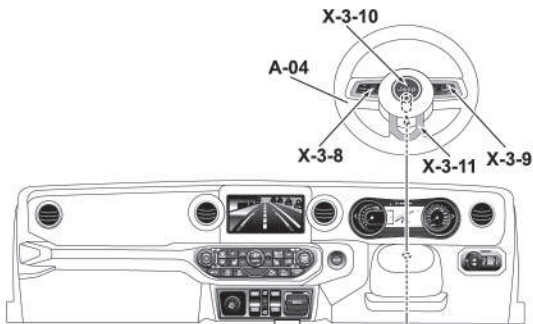
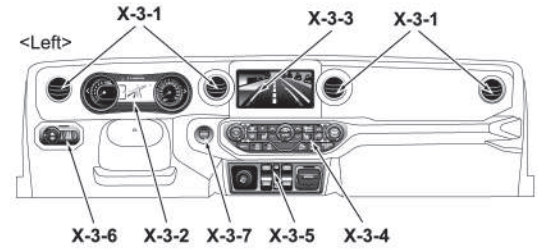
Flange screws 1.4X4X4mm

-----X2



1 Remove the protective film from outside.

Decal sheet



14 Assembling

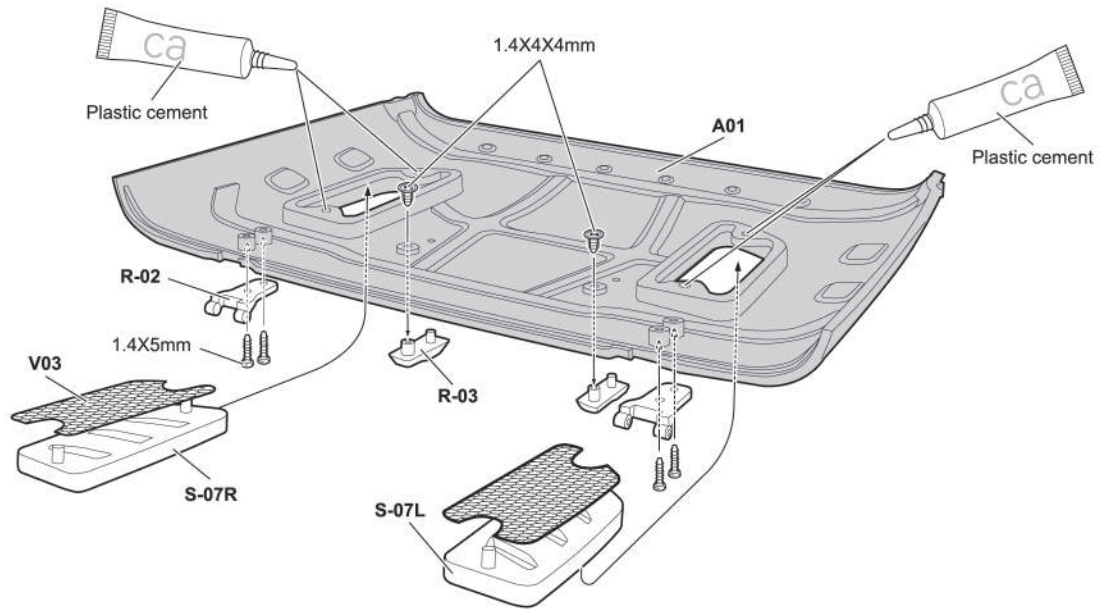
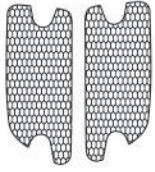
Flange screws 1.4X5mm

-----X4

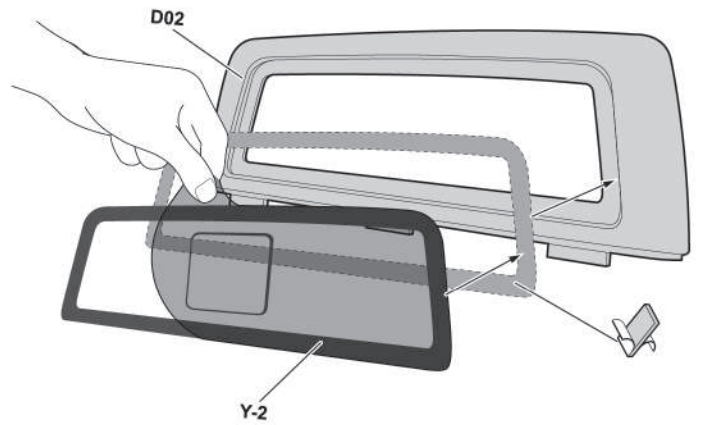
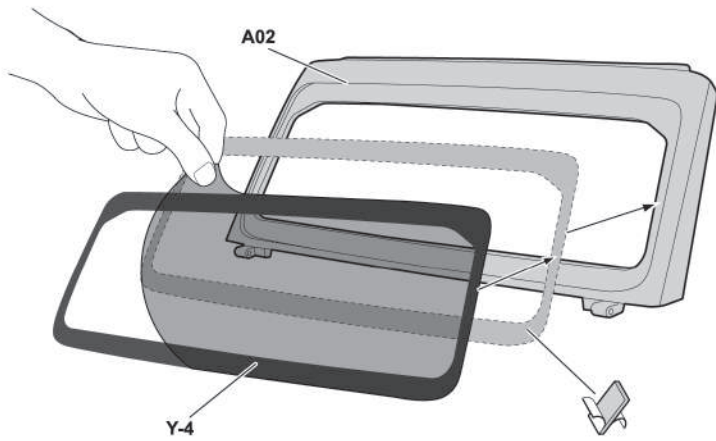
Flange screws 1.4X4X4mm

-----X2

V03



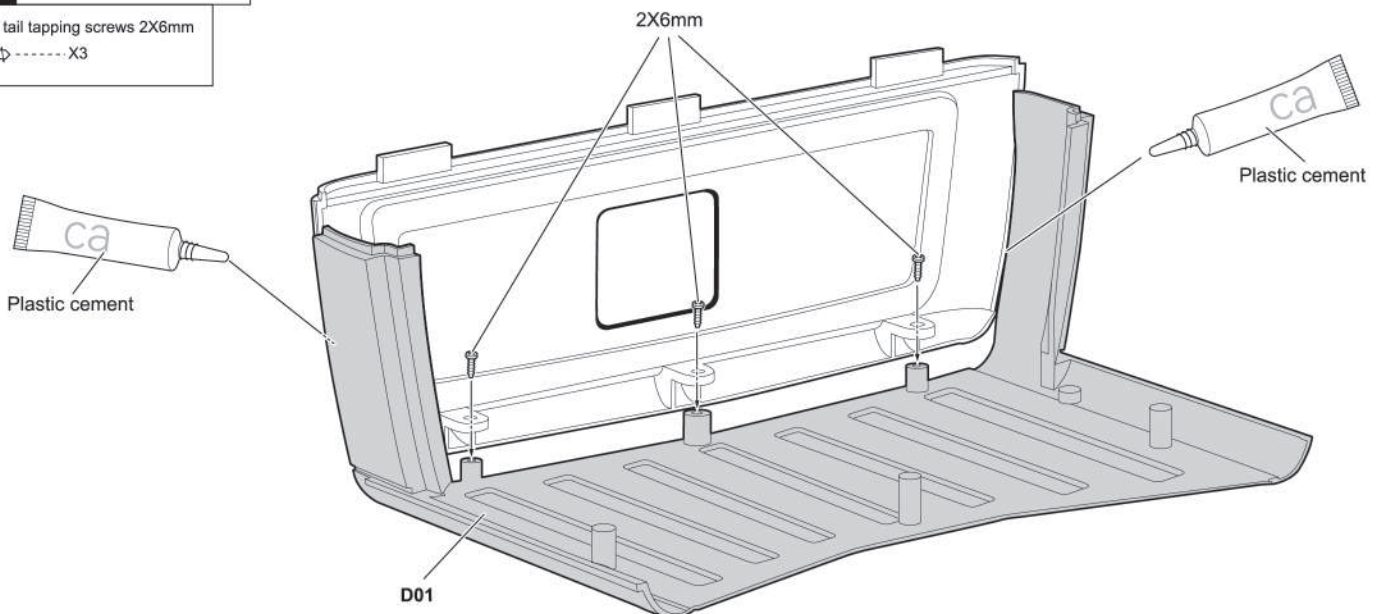
15 Assembling



16 Assembling

Point tail tapping screws 2X6mm

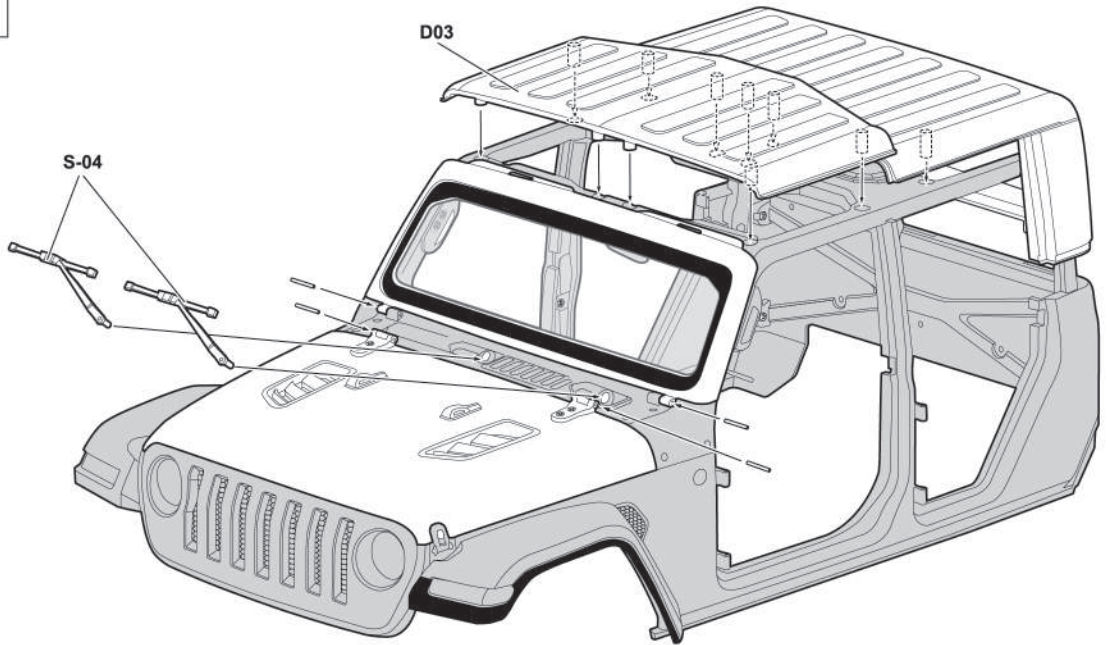
-----X3



17 Assembling

Iron bars $\Phi 1 \times 9 \text{mm}$

----- X4



18 Assembling

Point tail tapping screws 2X6mm

----- X6

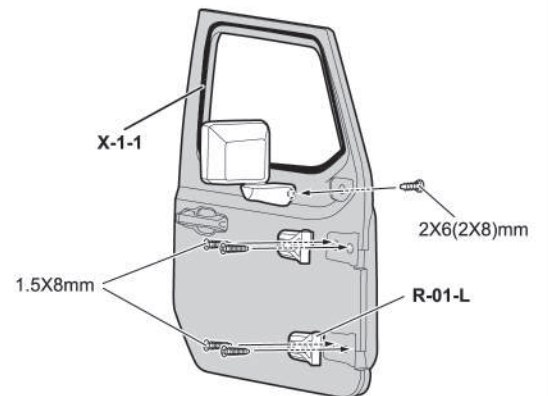
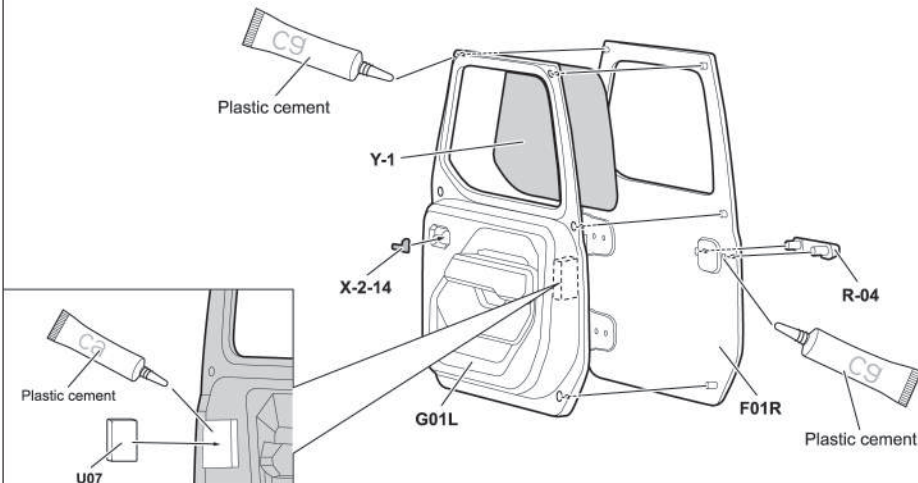
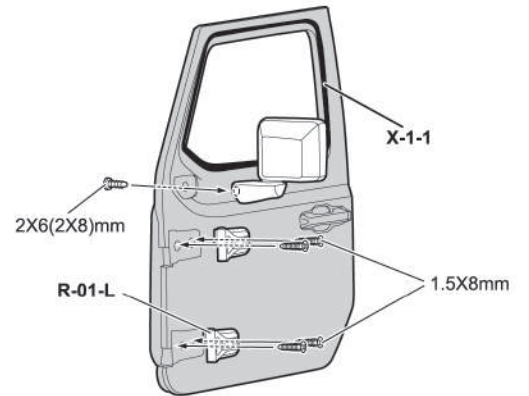
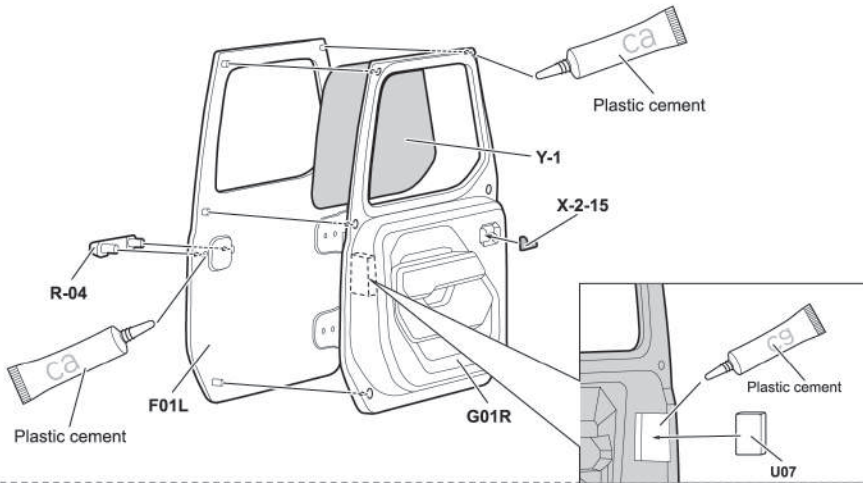
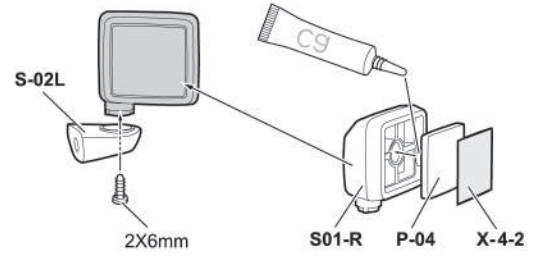
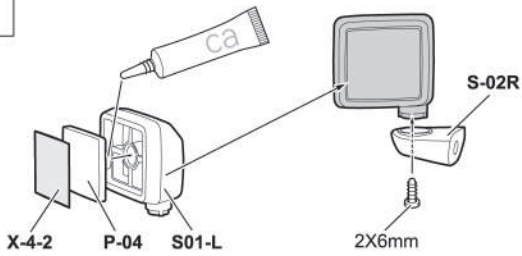
Tapping screws 1.5X8mm

----- X8

U07



Size: 10x6x2mm



19 Assembling

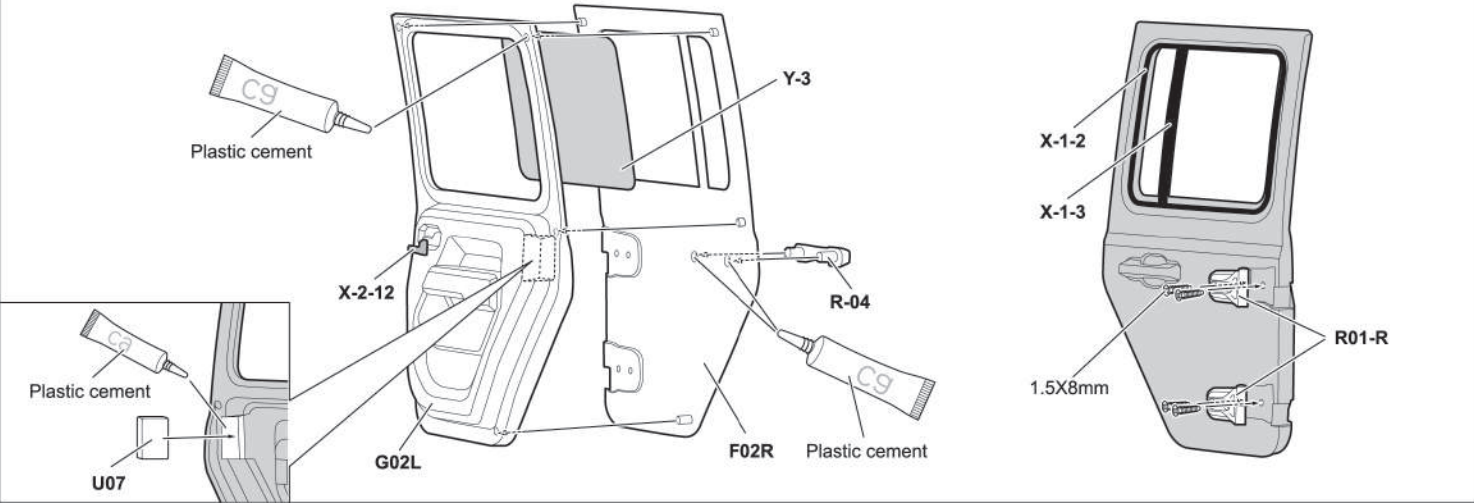
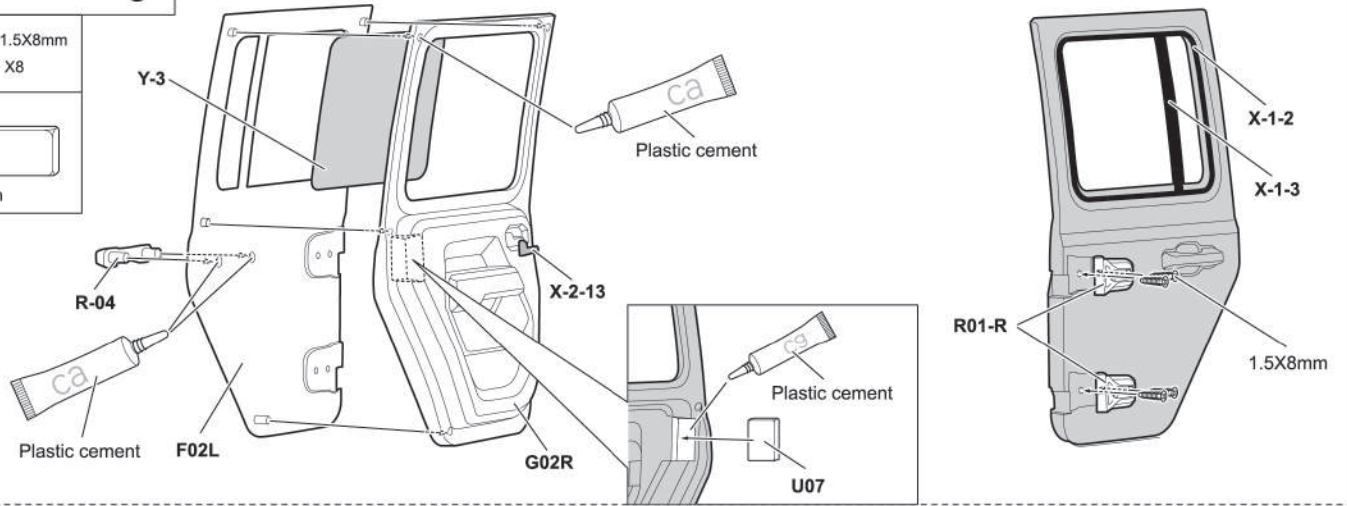
Tapping screws 1.5X8mm

----- X8

U07



Size:10x6x2mm

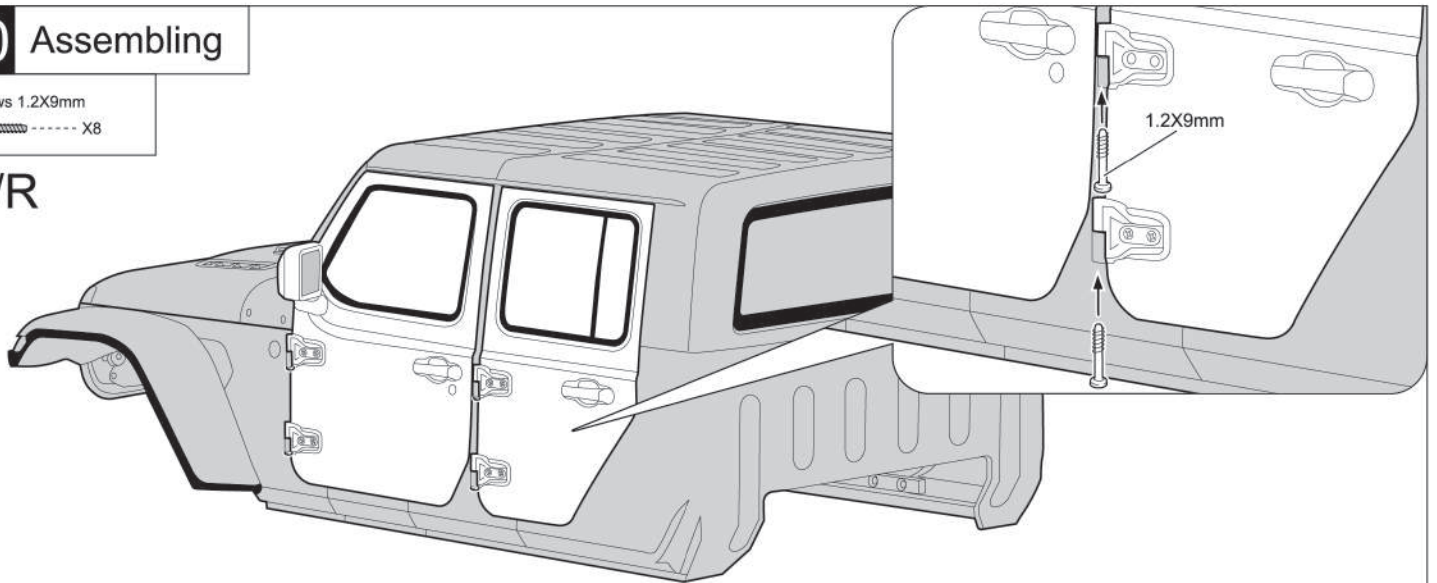


20 Assembling

Screws 1.2X9mm

----- X8

L/R

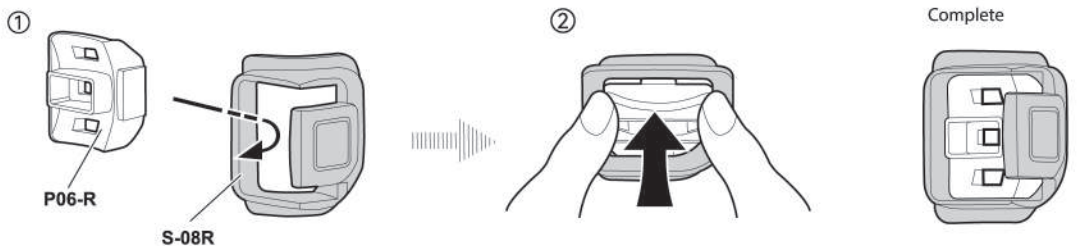


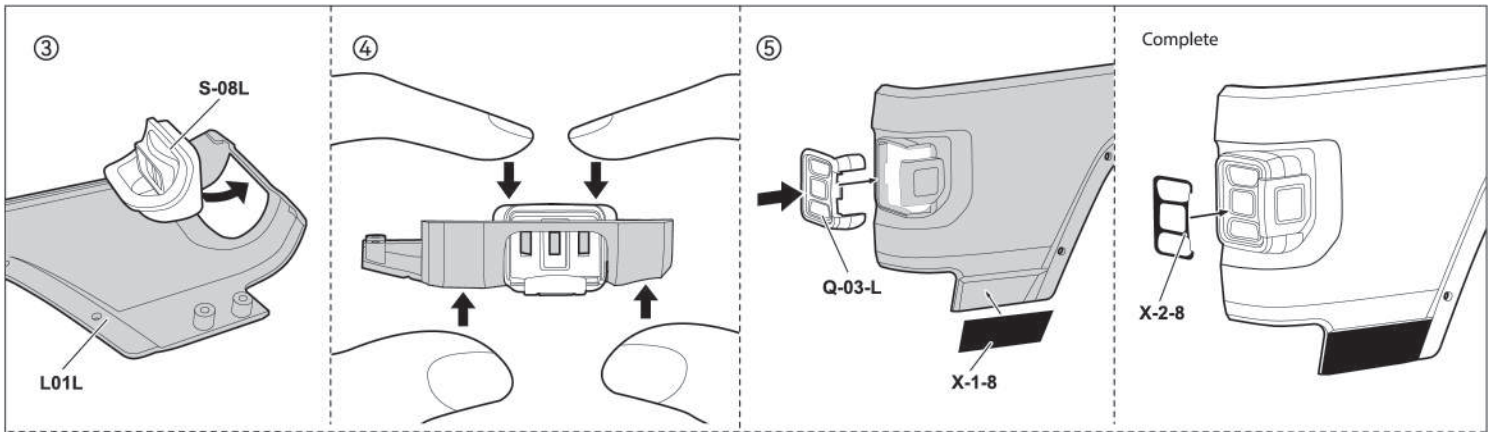
21 Assembling

Point tail tapping screws 2X6mm

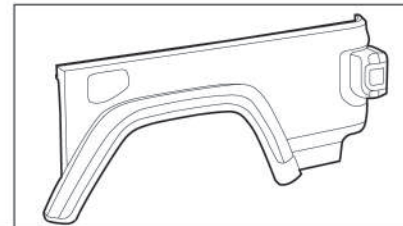
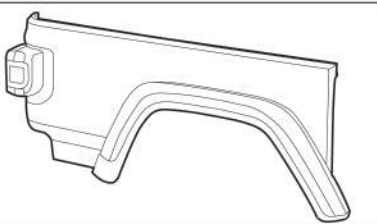
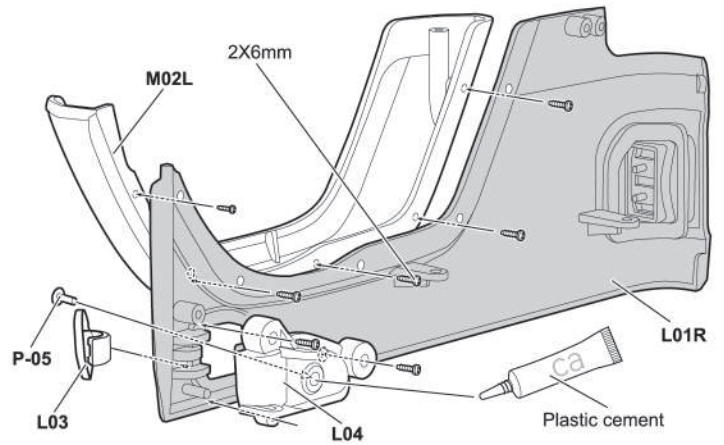
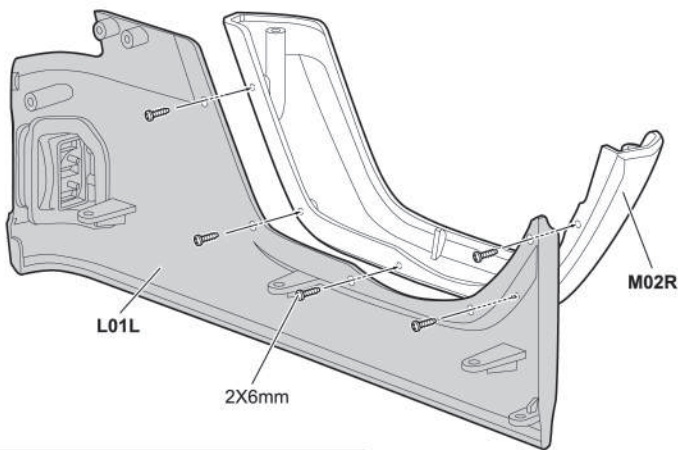
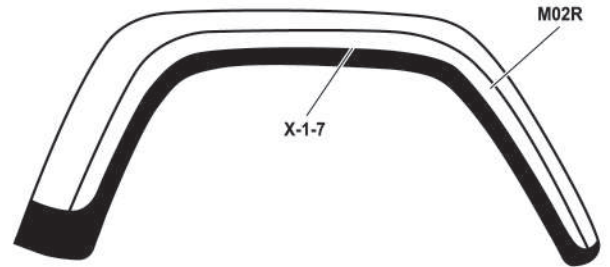
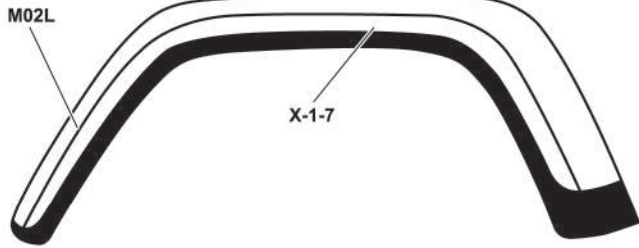
----- X12

L/R



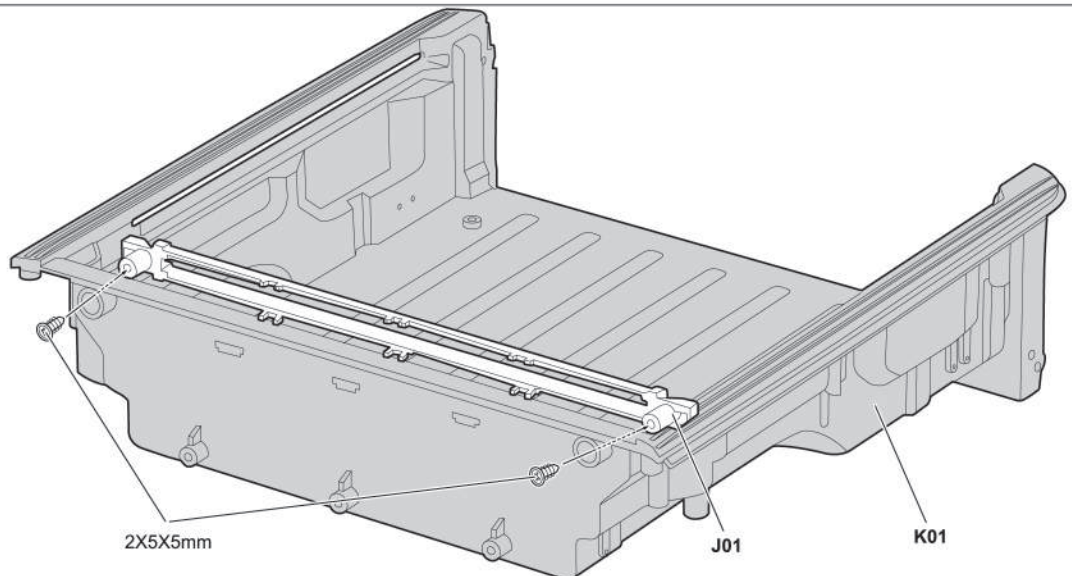


⚠ If **(M)** is sprayed in black, the decals don't need to stick.



22 Assembling

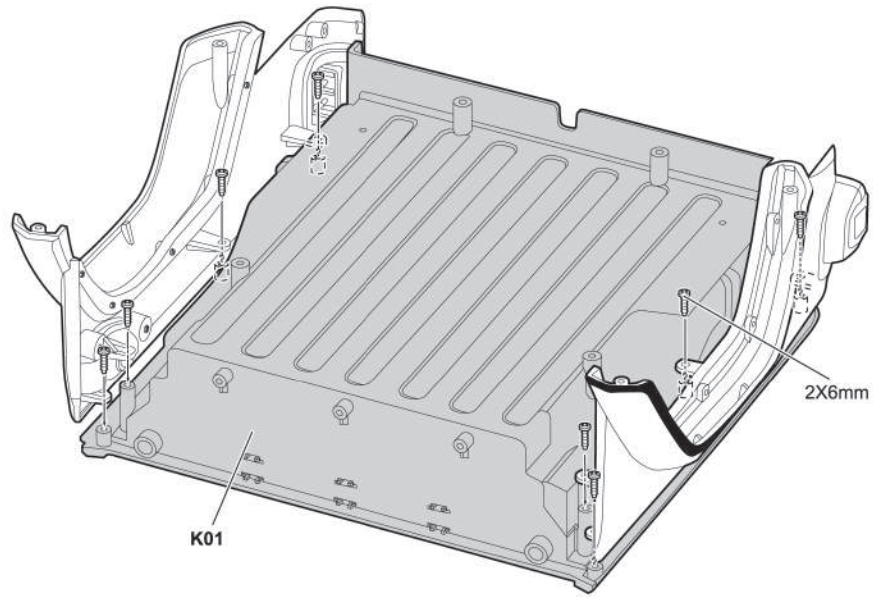
Flange screws 2X5X5mm



23 Assembling

Point tail tapping screws 2X6mm

 X8

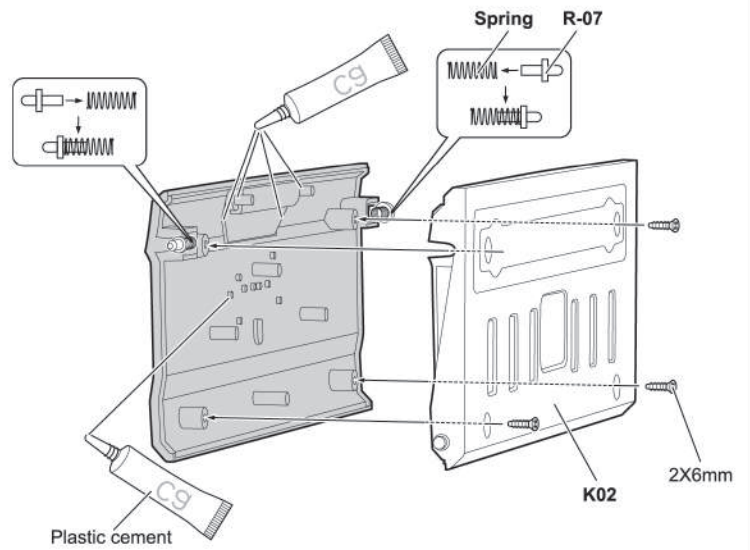
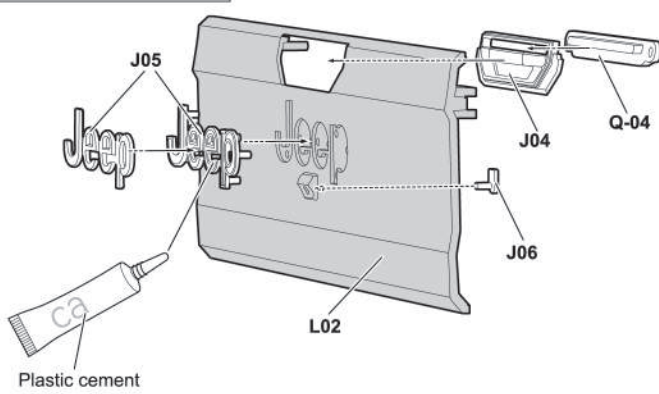


24 Assembling

Flat tail tapping screws 2X6mm


 X4

 X2



25 Assembling

Flat tail tapping screws 2X6mm

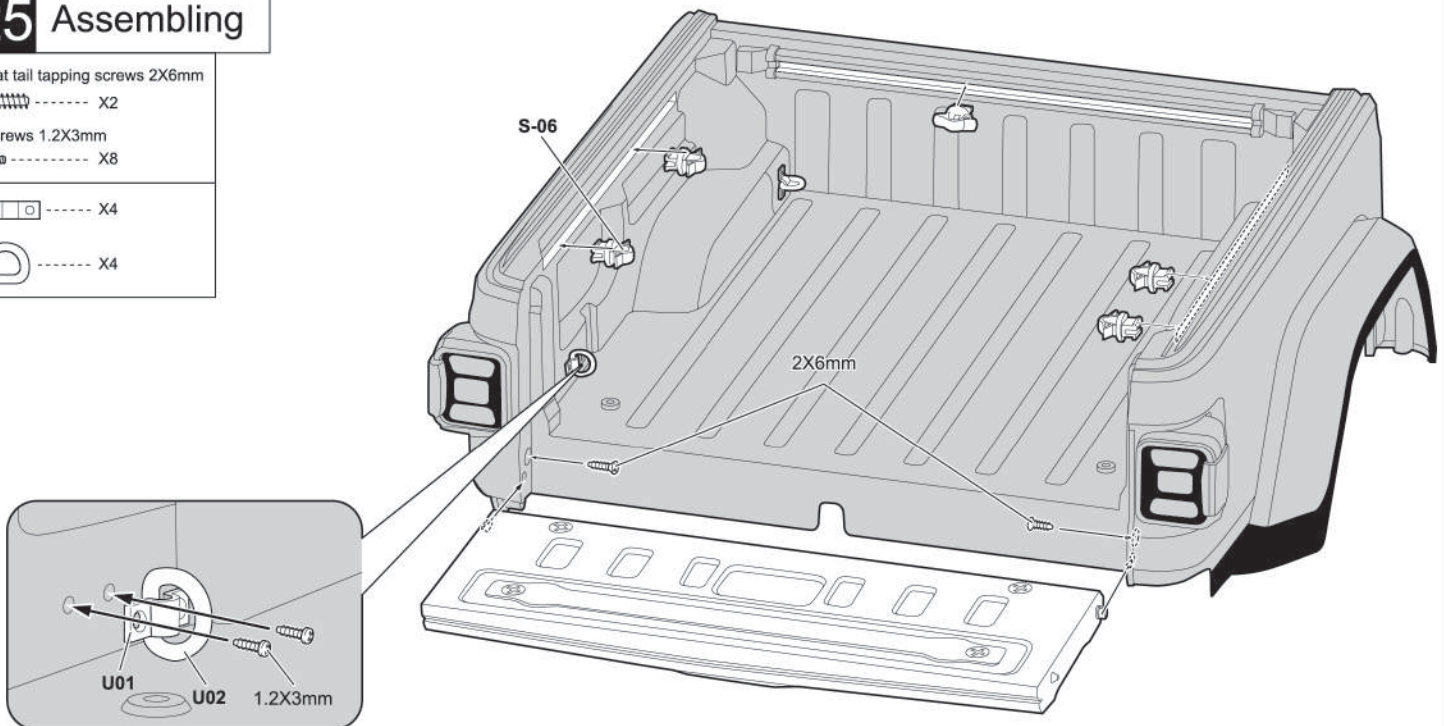
 X2

Screws 1.2X3mm

 X8

 X4

 X4



26 Assembling

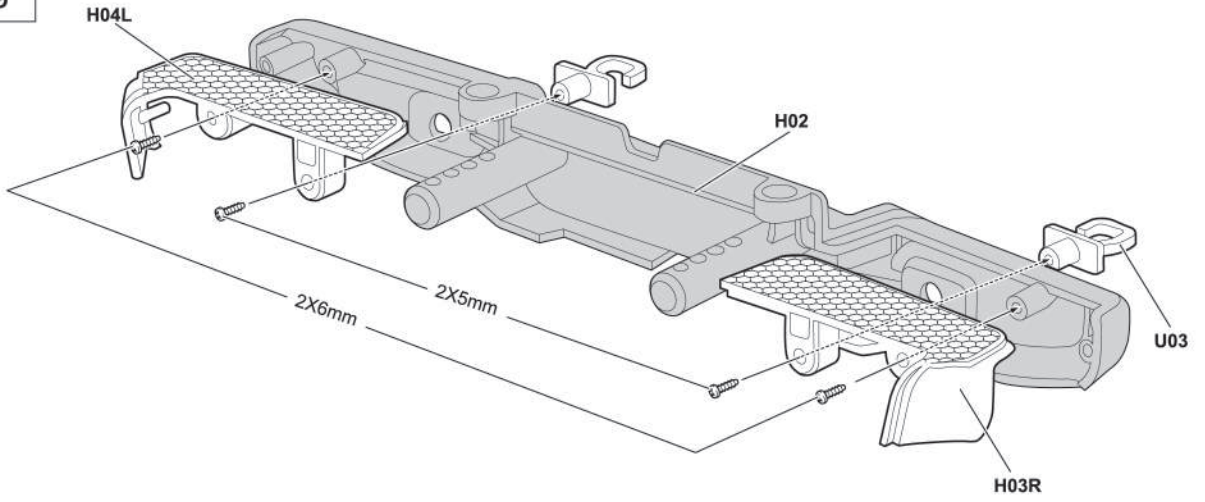
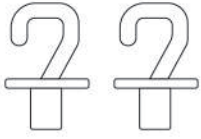
Point tail tapping screws 2X6mm

 X2

Screws 2X5mm

 X2

U03



27 Assembling

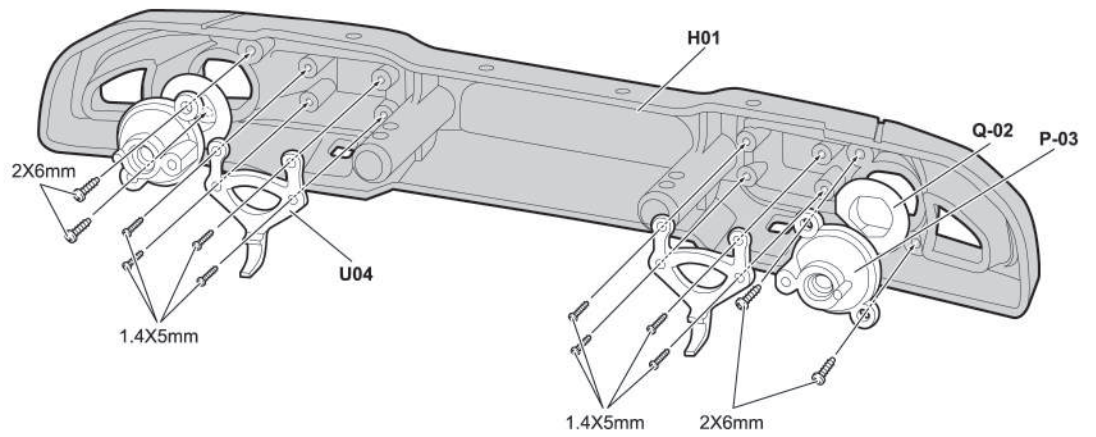
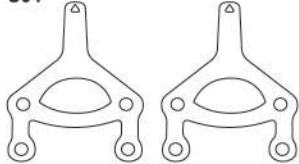
Point tail tapping screws 2X6mm

 X2

Tapping screws 1.4X5mm

 X8

U04



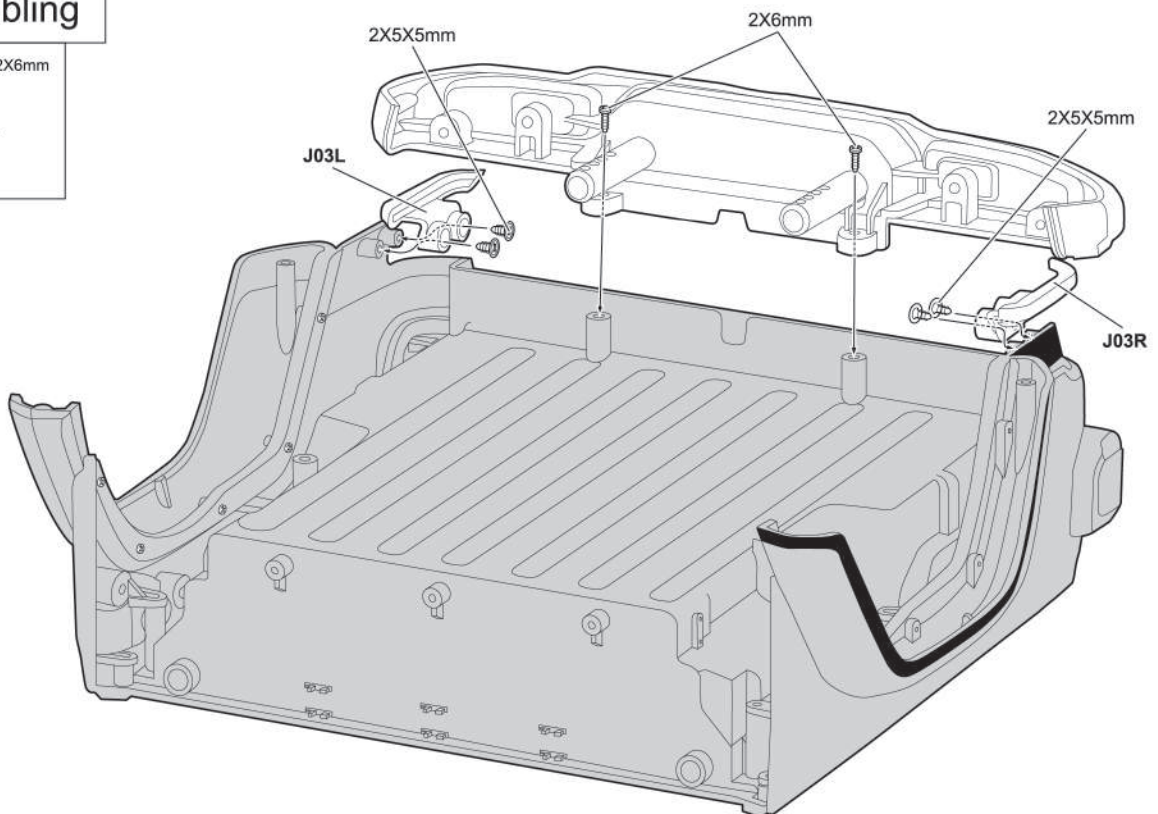
28 Assembling

Point tail tapping screws 2X6mm

 X2

Flange screws 2X5X5mm

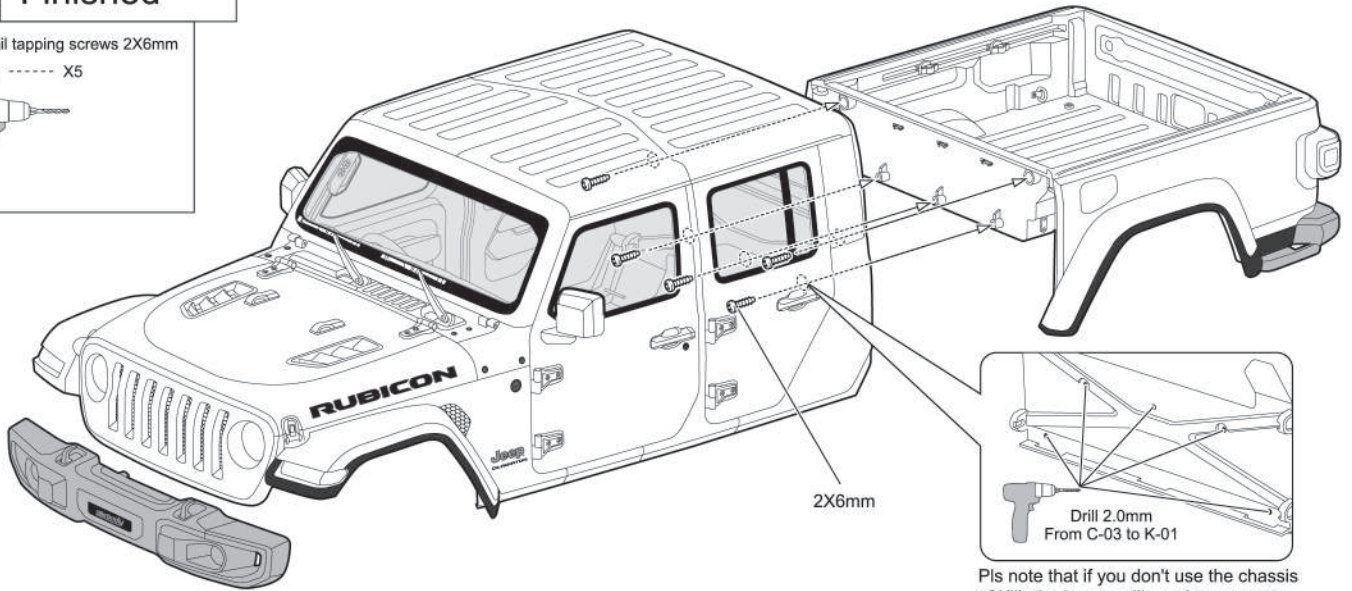
 X4



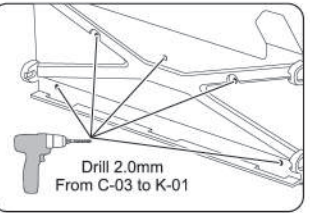
29 Finished

Point tail tapping screws 2X6mm

 X5

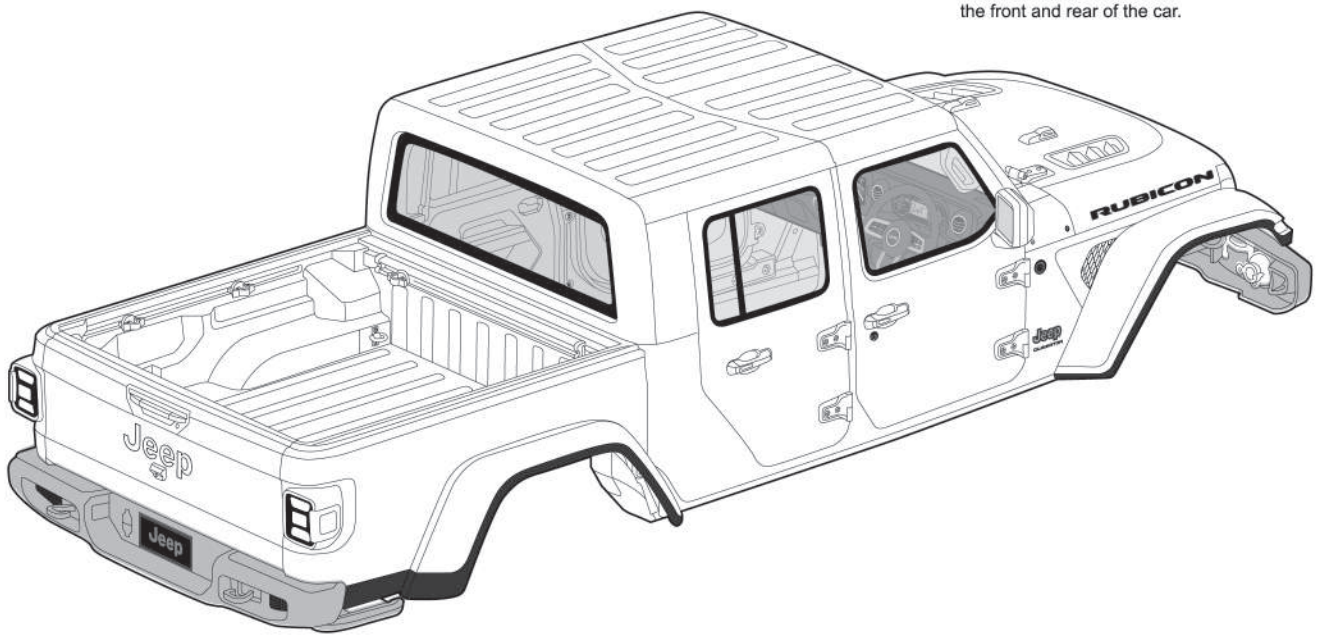


2X6mm



Drill 2.0mm
From C-03 to K-01

Pls note that if you don't use the chassis of Killerbody, you will need to connect the front and rear of the car.

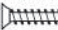


30 Installed

Flange screws 2.3X6X6mm

 X4

Screws 2X8mm

 X6

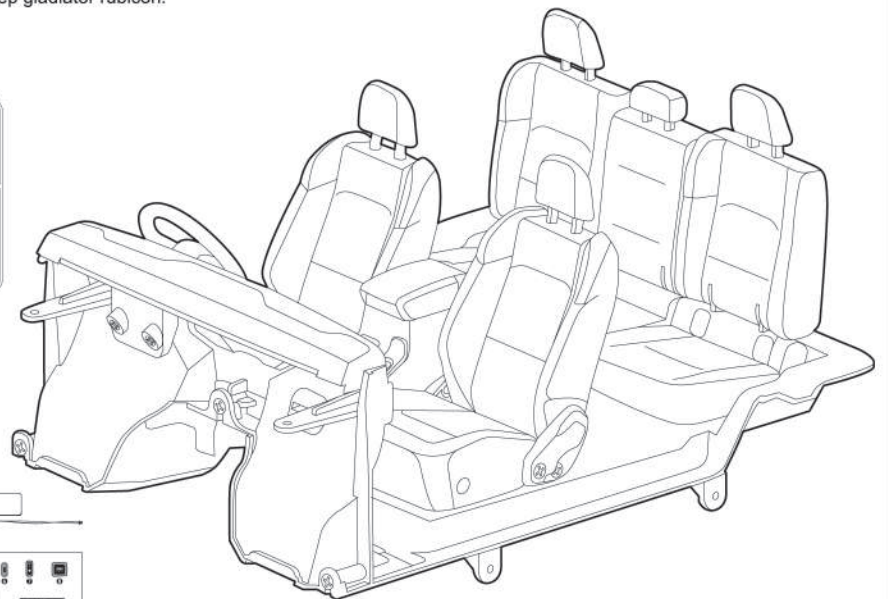
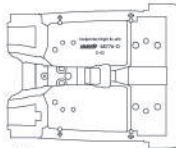
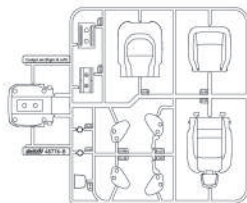
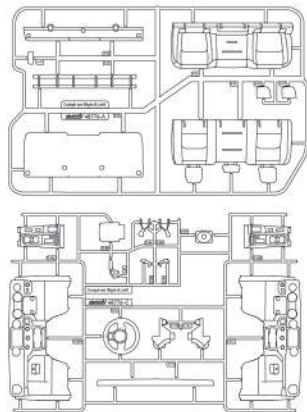
Screws 2X6mm

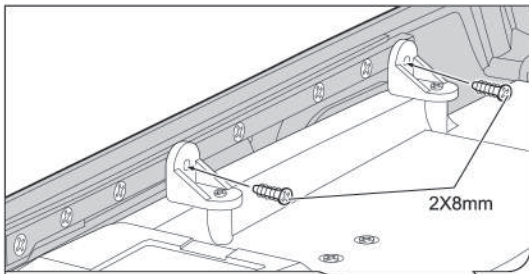
 X34



NO.48776

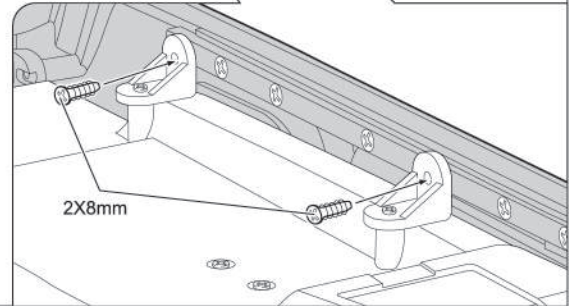
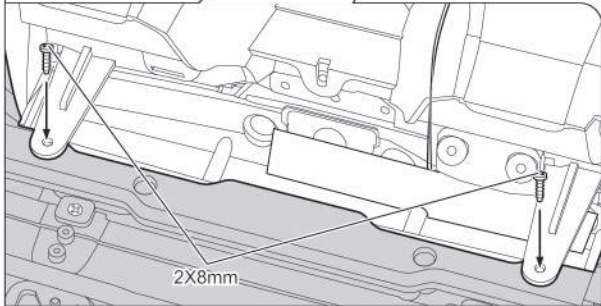
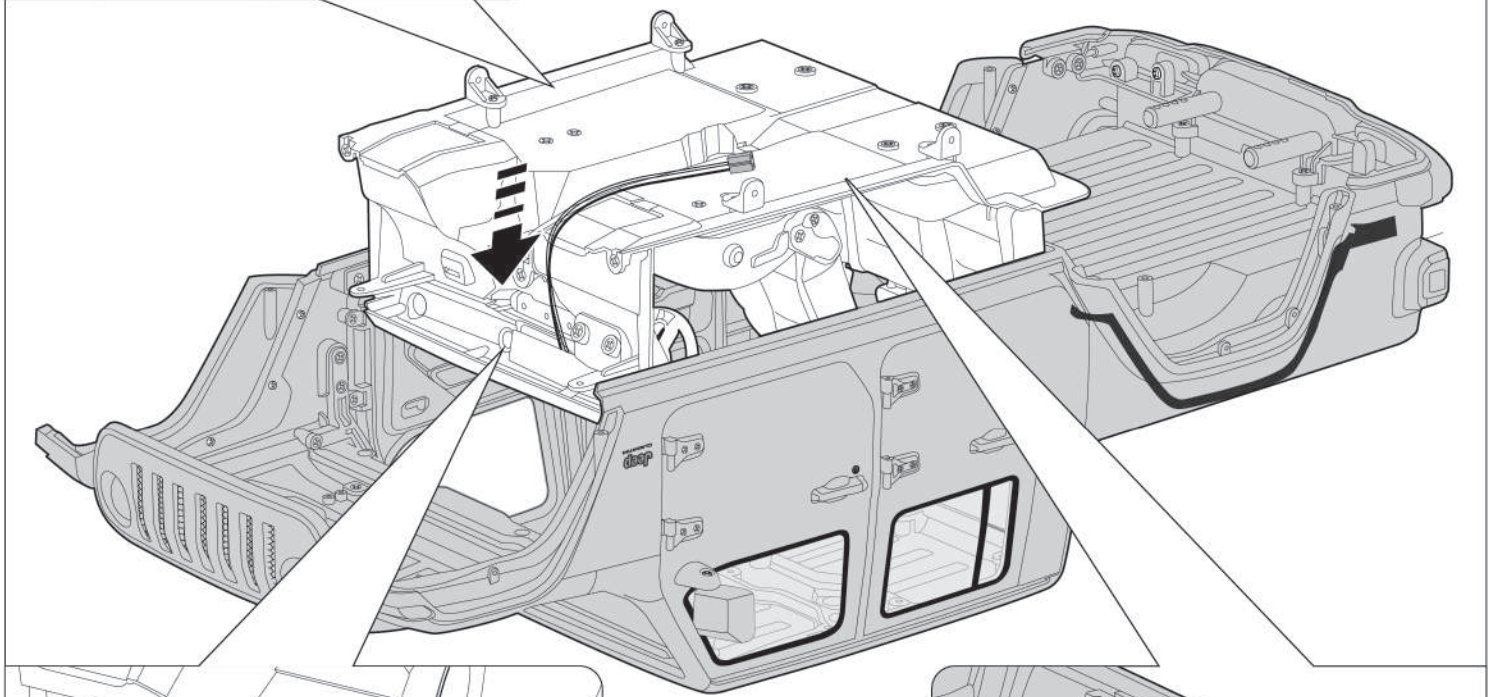
The cockpit set of jeep gladiator rubicon.





The body shell is connected to cockpit.

⚠ Warm Prompt: Pls take down the screws before assembled.

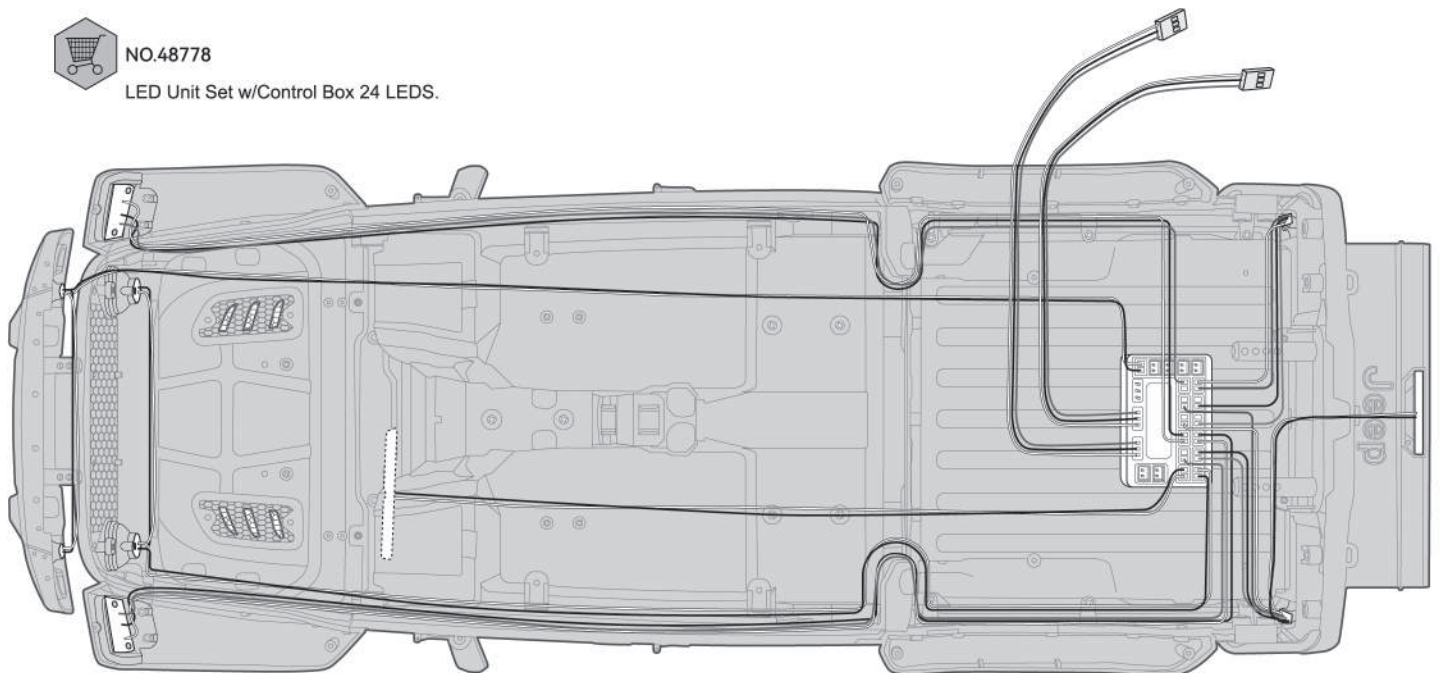


31 Wires Distribution



NO.48778

LED Unit Set w/Control Box 24 LEDS.



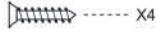
32 Installed



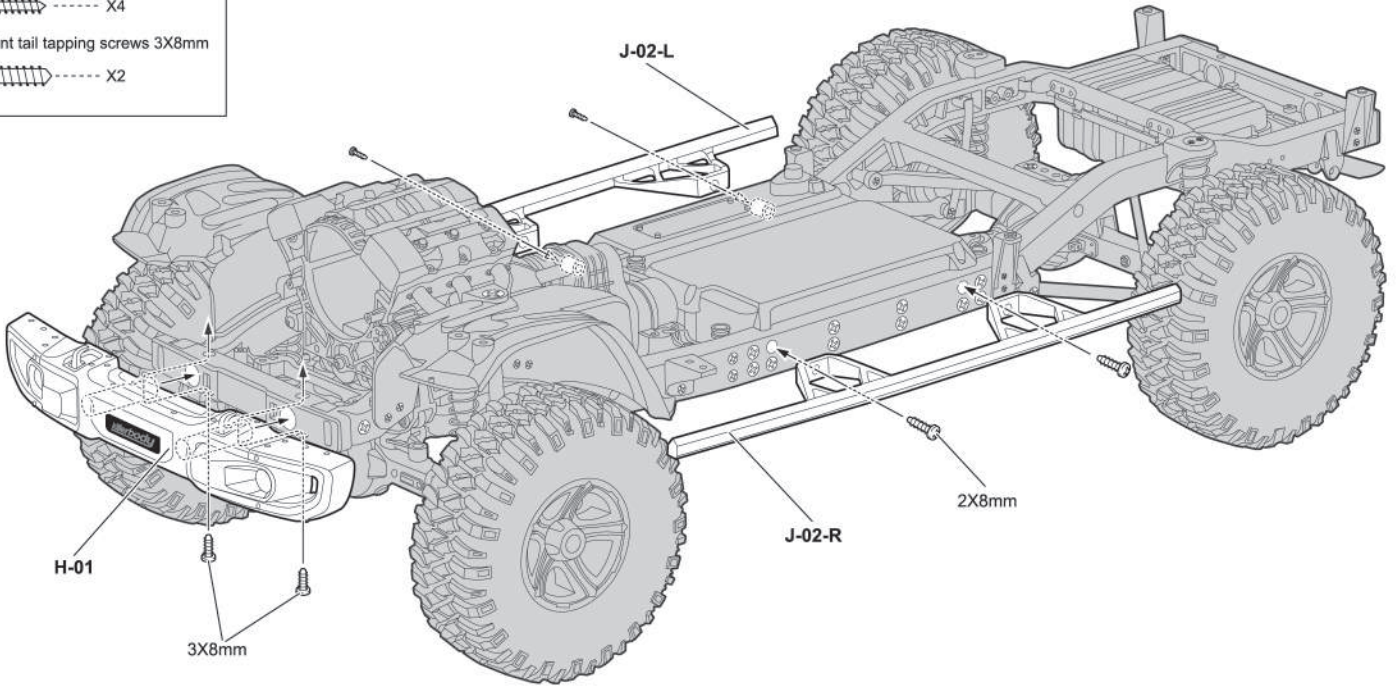
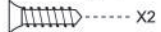
NO.48760

MERCURY High-simulated Remote Control Car_4 link suspension w/damper cylinder.

Point tail tapping screws 2X8mm



Point tail tapping screws 3X8mm

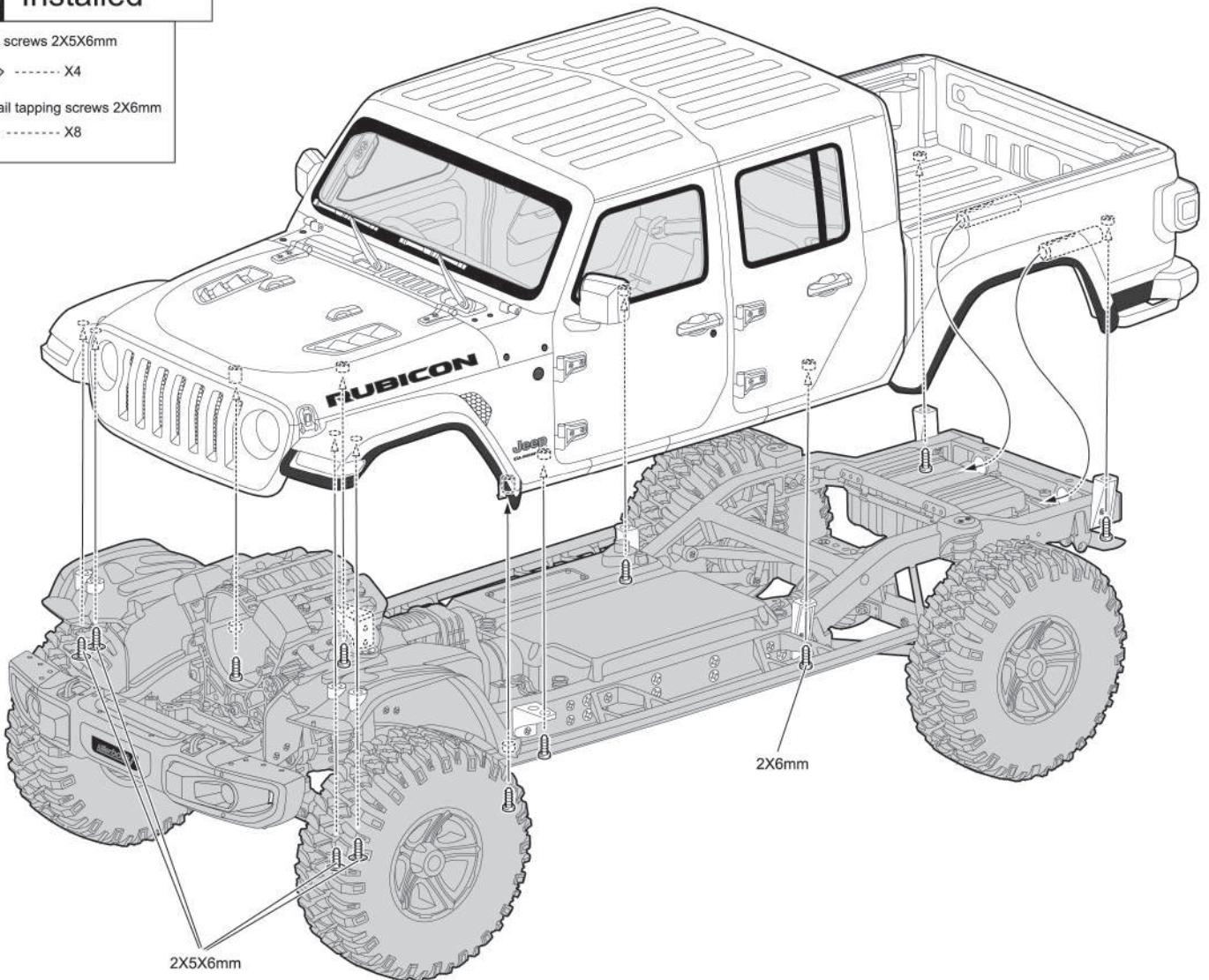


33 Installed

Flange screws 2X5X6mm



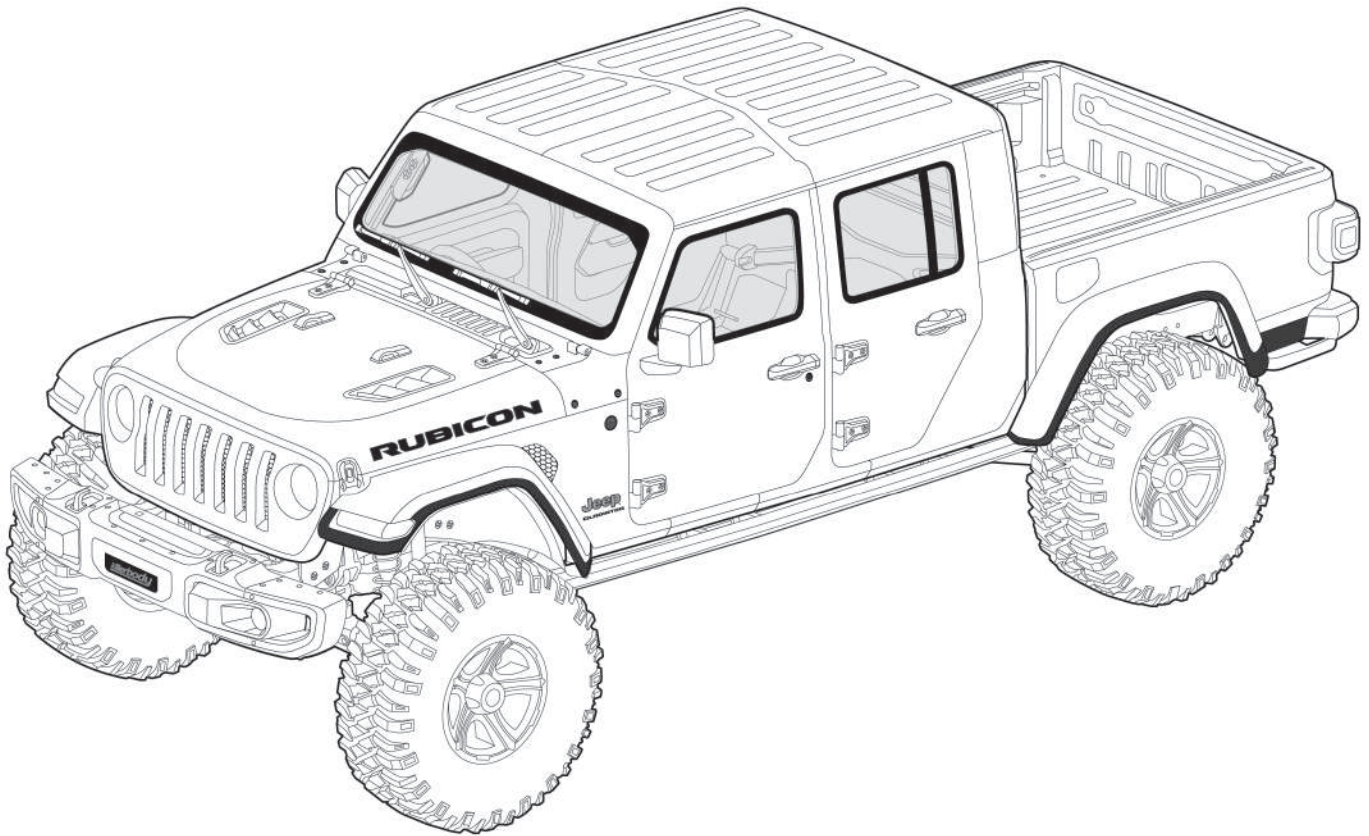
Point tail tapping screws 2X6mm



34 Installed

Effect picture KB48765 body shell painted and installed on KB48760 MERCURY chassis.

⚠ Warm Prompt: Pls take down the screws of front lights before assembled.



Option parts & Accessory

No.	Part Names	No.	Part Names
48691	1/10 Detail Scale Rubber Tyre 3.35 inch Fit for KB48693 Wheel 1.68 inch	48793	Wheel eyebrow(R/L,F/R,R/R,F/L) Fit for KB#48765
48692	1/10 Detail Scale Rubber Tyre 3.75 inch Fit for KB48694 Wheel 1.55 inch	48794	Wiper cover plate, Wiper, Interior rear view mirror, Rear view mirror fixing base, Hood air inlet window, Cargo anchor point, Fender skirts air inlet window(L/R), Tail lamp housing
48693	Aluminum Alloy Wheel 1.68 inch	48795	Built in roll cage C-pillar (L/R), Built in roll cage A-pillar(L/R), ,Built in roll cage (Middle), Built in roll cage (front)
48694	Aluminum Alloy Wheel 1.55 inch	48796	Front bumper cover plate (L/R), Rear bumper, Front bumper
48760	MERCURY High-simulated Remote Control Car_4 link suspension w/damper cylinder	48797	Turn signal lamp holder(L/R), Interior rear view mirror lens, Rear view mirror lens, Fog lamp holder, Tail lamp holder, Headlight holder
48776	Cockpit Set (Left & Right)	48798	Fog lamp transparent sheet, Turn signal lamp transparent sheet(L/R), high-mount stop lamp transparent sheet, Turn signal lamp transparent sheet, Tail light transparent sheet, Headlight transparent sheet
48778	LED Unit Set w/Control Box 24 LEDS	48799	Hood Latches Buckle Kit, A-pillar armrest, Tailgate latch tongue, Hood hinge fixing kit, Door hinge base, Door Hinge(A/B), Door handle inserts, Hood Hinge(A/B)
48779	Aluminium alloy upgrade parts Fit for KB#48760/48780 MERCURY Chassis Kit	48800	Center stack(L/R)
48782	Convertible parts_Leaf spring w/damper cylinder Fit for KB#48601	48801	Front window glass, Rear window glass, Windshield, Smoky color semi-transparent glass
48784	Windshield frame, Hood, Steering wheel, Fender skirts(F/R,F/R)	48802	Metal stiffening beam(L/R), Towing hook(F/R), Rider Cargo D Ring
48785	Wiper base parts, Doors frame(R/L,R/R), B-pillar(L/R), Doors frame parts	48803	Metal Photo etching parts: Metal mesh under wiper, Hood metal mesh, Hood Lock Catch Bracket, Grille metal mesh
48786	Grille cover, Grille cover inner part, Freedom Top(R), Built in roll cage guard	48804	Decorative stickers
48787	Freedom Top (F/R), Rear windshield frame	48805	Installation Connecting parts Fit for Traxxas TRX-4 Chassis
48788	Doors(F/R, F/L,R/L,R/R)	48806	Installation Connecting parts Fit for Axial SCX10_II Chassis
48789	Door interior trim panels(F/L,F/R,R/R,R/L)	48807	Installation Connecting parts Fit for Axial Axial SCX10_III Chassis
48790	Side step bars(L/R), Rear bumper pedals (L/R), Signs installed on the tailgate, Cargo hold anchor fixing rail, Tailgate handle		
48791	Tailgate interior trim panel, Rear bucket interior trim panel		
48792	Tailgate, Fuel tank cap, Fuel tank cover, Fender skirts (R/L,R/R)		

killerbody
RC.KILLERBODY.COM